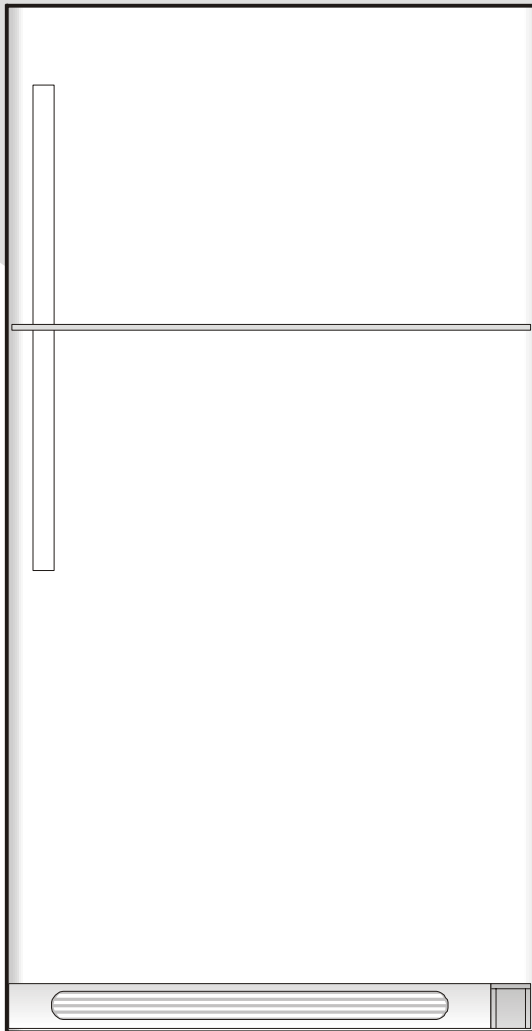















# CROSLEY

## Use & Care Manual

*Top Mount*

# Refrigerator



<b>Welcome</b> .....	2	
<b>Safety Instructions</b> .....	3	
<b>Installation</b> -- Includes Connecting Household Water Supply to Refrigerator. .	4 - 5	
<b>Door Removal &amp; Reversal</b> .....	6 - 9	
<b>Features at a Glance</b> .....	9	
<b>Temperature Controls</b> .....	10	
<b>Looking Inside</b> .....	11 - 12	
<b>Ice Service</b> .....	13	
<b>Food Storage &amp; Energy Saving Tips</b> .....	14	
<b>Normal Operating Sounds</b> ..	15	
<b>Care &amp; Cleaning</b> .....	16 - 17	
<b>Warranty</b> .....	18	
<b>Before You Call</b> .....	19	



## WELCOME & CONGRATULATIONS

Congratulations on your purchase of a new refrigerator! We here at **Crosley Corporation** are very proud of our product and we are completely committed to providing you with the best service possible. Your satisfaction is our #1 priority.

Please read this Use & Care Manual very carefully. It contains valuable information on how to properly maintain your new refrigerator.

We know you'll enjoy your new refrigerator and **Thank You** for choosing our product. We hope you consider us for future purchases.

### PLEASE READ AND SAVE THESE INSTRUCTIONS

This Use & Care Manual provides specific operating instructions for your model. Use your refrigerator only as instructed in this manual. These instructions are not meant to cover every possible condition and situation that may occur. Common sense and caution must be practiced when installing, operating and maintaining any appliance.

**Please record your model and serial numbers below for future reference. This information is found on the serial plate located inside the refrigerator compartment.**

#### NOTE

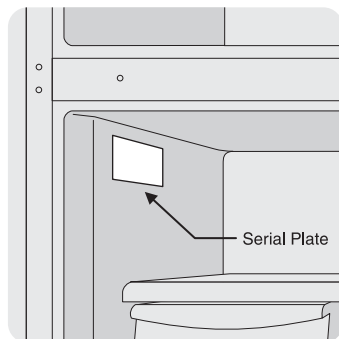
Use only soap and water to clean serial plate.

Model Number: \_\_\_\_\_

Serial Number: \_\_\_\_\_

Purchase Date: \_\_\_\_\_

*Please complete and mail in the **Product Registration Card** included with your refrigerator.*



### FOR PRODUCT INFORMATION CONTACT:

**336-761-1212**

Crosley Corporation  
111 Cloverleaf Dr.  
Winston-Salem, NC 27103  
[www.crosley.com](http://www.crosley.com)

Please attach sales receipt here for future reference.



## IMPORTANT SAFETY INSTRUCTIONS



### WARNING

Please Read All Instructions Before Using This Refrigerator.

#### FOR YOUR SAFETY

- Do not store or use gasoline, or other flammable liquids in the vicinity of this or any other appliance. Read product labels for warnings regarding flammability and other hazards.
- Do not operate the refrigerator in the presence of explosive fumes.
- Avoid contact with any moving parts of automatic ice maker.
- Remove all staples from the carton. Staples can cause severe cuts, and also destroy finishes if they come in contact with other appliances or furniture.

#### CHILD SAFETY

Destroy or recycle the carton, plastic bags, and any exterior wrapping material immediately after the refrigerator is unpacked. Children should **NEVER** use these items to play. Cartons covered with rugs, bedspreads, plastic sheets or stretch wrap may become airtight chambers, and can quickly cause suffocation.



### WARNING

These Guidelines Must Be Followed To Ensure That Safety Mechanisms In This Refrigerator Will Operate Properly.

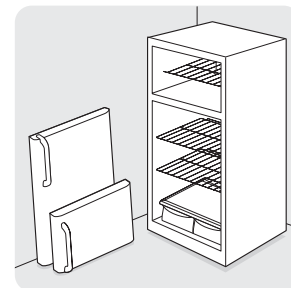
#### ELECTRICAL INFORMATION

- **The refrigerator must be plugged into its own dedicated 115 Volt, 60 Hz., AC only electric outlet.** The power cord of the appliance is equipped with a three-prong grounding plug for your protection against electrical shock hazards. It must be plugged directly into a properly grounded three-prong receptacle. The receptacle must be installed in accordance with local codes and ordinances. Consult a qualified electrician. **Do not use an extension cord or adapter plug.**
- If the power cord is damaged, it should be replaced by the manufacturer, service technician or a qualified person to prevent any risk.
- Never unplug the refrigerator by pulling on the power cord. Always grip the plug firmly, and pull straight out from the receptacle to prevent damaging the power cord.
- Unplug the refrigerator before cleaning and before replacing a light bulb to avoid electrical shock.
- Performance may be affected if the voltage varies by 10% or more. Operating the refrigerator with insufficient power can damage the compressor. Such damage is not covered under your warranty.
- Do not plug the unit into an outlet controlled by a wall switch or pull cord to prevent the refrigerator from being turned off accidentally.
- Avoid connecting refrigerator to a Ground Fault Interruptor (GFI) circuit.

#### PROPER DISPOSAL OF YOUR REFRIGERATOR OR FREEZER

##### Risk of child entrapment

Child entrapment and suffocation are not problems of the past. Junked or abandoned refrigerators or freezers are still dangerous – even if they will sit for “just a few days.” If you are getting rid of your old refrigerator or freezer, please follow the instructions below to help prevent accidents.



##### Before you throw away your old refrigerator/ freezer:

- Remove doors.
- Leave shelves in place so children may not easily climb inside.
- Have refrigerant removed by a qualified service technician.

#### IMPORTANT

Turning the Freezer and Fresh Food Controls to “0” turns off the compressor and prevents your refrigerator from cooling, but does not disconnect the power to the light bulb and other electrical components. To turn off power to your refrigerator you must unplug the power cord from the wall outlet.

Grounding type wall receptacle



Do not, under any circumstances, cut, remove, or bypass the grounding prong.

Power cord with 3-prong grounded plug





# INSTALLATION

This Use & Care Manual provides specific operating instructions for your model. Use the refrigerator only as instructed in this Use & Care Manual. **Before starting the refrigerator, follow these important first steps.**

## LOCATION

- Choose a place that is near a grounded electrical outlet. **Do Not** use an extension cord or an adapter plug.
- If possible, place the refrigerator out of direct sunlight and away from the range, dishwasher or other heat sources.
- The refrigerator must be installed on a floor that is level and strong enough to support a fully loaded refrigerator.
- Consider water supply availability for models equipped with an automatic ice maker.

## INSTALLATION

### CAUTION

**Do Not install the refrigerator where the temperature will drop below 55°F (13°C) or rise above 110°F (43°C). The compressor will not be able to maintain proper temperatures inside the refrigerator.**

**Do Not block the toe grille on the lower front of your refrigerator. Sufficient air circulation is essential for the proper operation of your refrigerator.**

### IMPORTANT

If you install your refrigerator in a garage or other unheated area, you may experience freezer temperature problems during the winter months when temperatures dip below 55° F.

Upgrading your refrigerator with a Garage Kit will lower the minimum operating temperature of your unit to 34° F. This kit can be ordered through the *Electrolux Solutions Hotline* (see back cover).

## Installation Clearances

- Allow the following clearances for ease of installation, proper air circulation, and plumbing and electrical connections:

Sides & Top	3/8"
Back	1"

### NOTE

If you see black coils/tubing on the back of your refrigerator (air-cooled condenser) leave 3" clearance at top of refrigerator.

## DOOR OPENING

Your refrigerator should be positioned to allow easy access to a counter when removing food. To make this possible, the direction in which the doors open can be reversed. See *Door Removal & Reversal Instructions*.

### NOTE

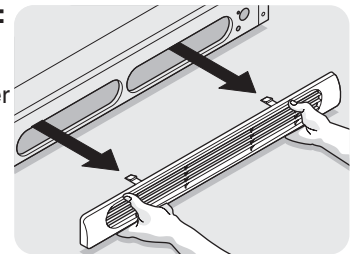
If your refrigerator is placed with the door hinge side against a wall, you may have to allow additional space so the door can be opened wider.

## LEVELING

All four corners of your refrigerator must rest firmly on a solid floor. Your refrigerator is equipped with adjustable front rollers or front leveling screws to help level your unit.

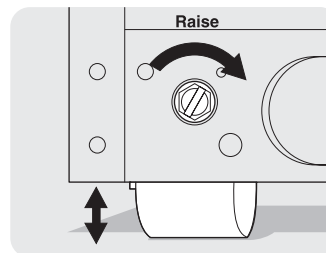
### To Level Your Refrigerator:

1. Remove toe grille.
2. Use flat-blade screwdriver or 3/8" socket wrench to adjust front rollers. Use adjustable wrench to adjust leveling screws.

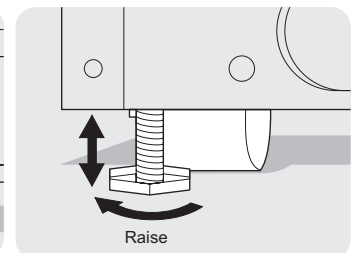


### NOTE

Raise the front of the refrigerator enough so the doors close freely when opened halfway. The refrigerator should slope 1/4" to 1/2" from front to back. Then level the refrigerator from side to side.



Adjustable Front Roller  
(some models)



Stationary Front Roller  
with Leveling Screw  
(some models)



## CONNECTING HOUSEHOLD WATER SUPPLY TO REFRIGERATOR

### **! WARNING**

To avoid electric shock, which can cause death or severe personal injury, disconnect the refrigerator from electrical power before connecting a water supply line to the refrigerator.

### **! CAUTION**

To Avoid Property Damage:

- Copper tubing is recommended for the water supply line. Water supply tubing made of ¼" plastic is not recommended since it greatly increases the potential for water leaks. Manufacturer will not be responsible for any damage if plastic tubing is used for supply line.
- DO NOT install water supply tubing in areas where temperatures fall below freezing.
- Chemicals from a malfunctioning softener can damage the ice maker. If the ice maker is connected to soft water, ensure that the softener is maintained and working properly.

### **IMPORTANT**

Ensure that your water supply line connections comply with all local plumbing codes.

### **Before Installing The Water Supply Line, You Will Need**

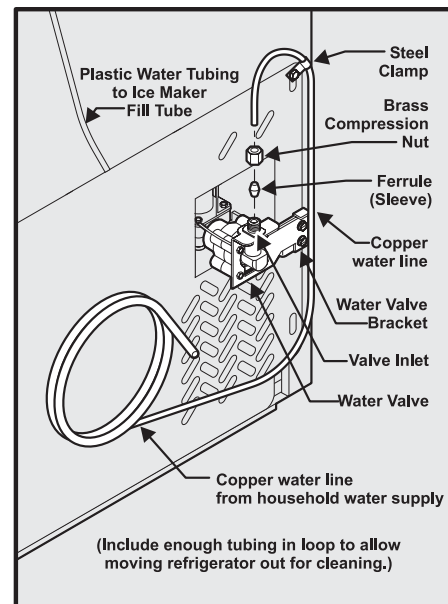
- **Basic Tools:** adjustable wrench, flat-blade screwdriver, and Phillips™ screwdriver
- Access to a household cold water line with water pressure between 30 and 100 psi.
- A water supply line made of ¼ inch (6.4 mm) OD, copper tubing. To determine the length of copper tubing needed, you will need to measure the distance from the ice maker inlet valve at the back of the refrigerator to your cold water pipe. Then add approximately 7 feet (2.1 meters), so the refrigerator can be moved out for cleaning (as shown).
- A shutoff valve to connect the water supply line to your household water system. **DO NOT** use a self-piercing type shutoff valve.
- A compression nut and ferrule (sleeve) for connecting the water supply line to the ice maker inlet valve.

### **NOTE**

Water line kit number 5303917950, available from your appliance dealer at additional cost, contains 25 feet (7.6 meters) of ¼ inch OD copper tubing, a saddle type shutoff valve (nonpiercing), (2) ¼ inch brass compression nuts, (2) ferrules/sleeves, and instructions for installing a water supply line.

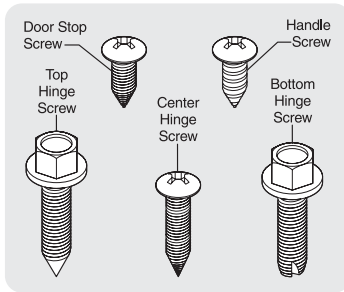
### **To Connect Water Supply Line To Ice Maker Inlet Valve**

1. Disconnect refrigerator from electric power source.
2. Place end of water supply line into sink or bucket. Turn ON water supply and flush supply line until water is clear. Turn OFF water supply at shutoff valve.
3. Unscrew plastic cap from water valve inlet and discard cap.
4. Slide brass compression nut, then ferrule (sleeve) onto water supply line, as shown.
5. Push water supply line into water valve inlet as far as it will go (¼ inch). Slide ferrule (sleeve) into valve inlet and finger tighten compression nut onto valve. Tighten another half turn with a wrench; **DO NOT** over tighten.
6. With steel clamp and screw, secure water supply line to rear panel of refrigerator as shown.
7. Coil excess water supply line (about 2½ turns) behind refrigerator as shown and arrange coils so they do not vibrate or wear against any other surface.
8. Turn ON water supply at shutoff valve and tighten any connections that leak.
9. Reconnect refrigerator to electrical power source.
10. To turn ice maker on, lower wire signal arm (see ice maker front cover for ON/OFF position of arm).

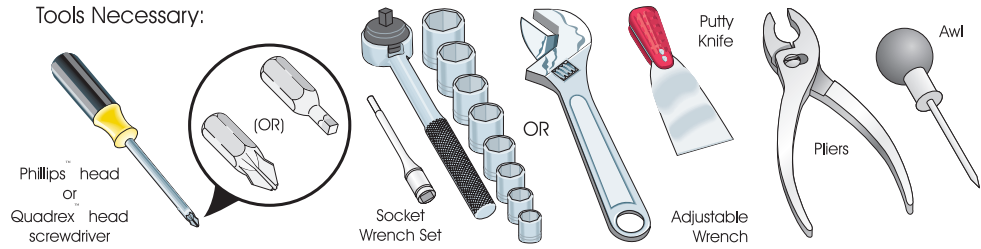




## DOOR REMOVAL / REVERSAL INSTRUCTIONS



### Tools Necessary:



### DOOR REMOVAL AND REVERSAL INSTRUCTIONS:

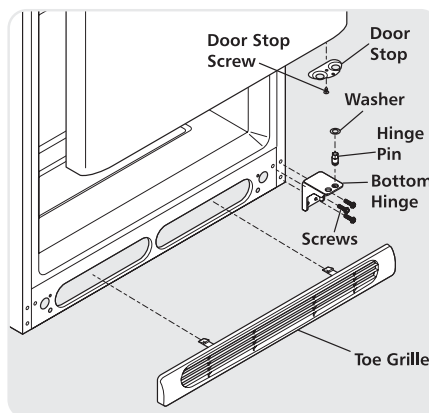
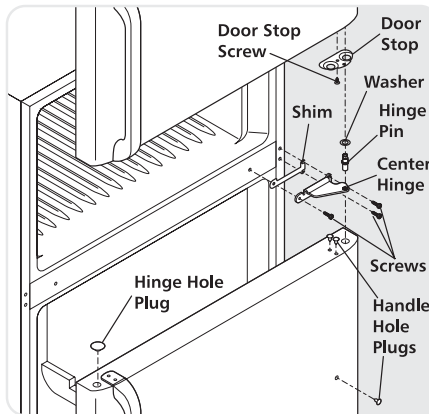
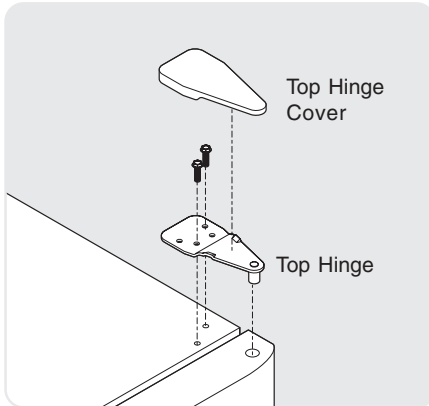
#### NOTE

If you have stainless steel doors -- go to the *Removing Stainless Steel Doors and Handles* Section on page 8.

The direction in which your refrigerator doors open (door swing) can be reversed, from left to right or right to left, by moving the door hinges from one side to the other. Reversing the door swing should be performed by a qualified person.

#### IMPORTANT

Before you begin, turn the refrigerator temperature control to "0" and remove the electrical power cord from the wall outlet. Remove any food from door shelves.



1. Remove toe grille.
2. Remove top hinge cover. Trace around the hinge with a soft lead pencil. This makes reinstallation easier. Remove top hinge and lift door off center hinge pin. Set door aside.
3. Unscrew center hinge pin using adjustable wrench and save for reassembly. Ensure plastic washer stays on hinge pin.
4. Lift refrigerator door off of bottom hinge and set aside.
5. Remove center hinge and shim by removing inside screw and loosening two outside screws enough to allow hinge and shim to slide out. Tighten screws.
6. Loosen two outside screws on opposite side of refrigerator, remove inside screw and install center hinge.
7. Remove two screws on bottom hinge with 3/8" socket wrench.
8. Install bottom hinge on opposite side with the two screws removed from step 7.
9. Unscrew bottom hinge pin using adjustable wrench. Move hinge pin to other hole in hinge and tighten with adjustable wrench.
10. Reverse door handles (see instructions on next page).
11. Move freezer and refrigerator door stops to opposite side. Before starting screws, use an awl to puncture the foam.
12. Position refrigerator door onto bottom hinge pin and screw center hinge pin through center hinge into top of door. Close refrigerator door to help align hinge hole.
13. Tighten center hinge pin with adjustable wrench.
14. Remove cabinet and hinge hole plugs and move to opposite side.
15. Lower freezer door onto center hinge pin.
16. Close freezer door. Have an assistant lift up on opposite side of door while tightening screws to install top hinge.
17. Replace toe grille.
18. Plug in electrical power cord and turn refrigerator temperature control to center position. Adjust setting as necessary.



## DOOR REMOVAL / REVERSAL INSTRUCTIONS

### NOTE

Some models have “pocket” handles, which are recessed into the sides of the door. On these models, only the hinges will need to be reversed.

### TO REMOVE FREEZER HANDLE:

(Handles may be easier to reverse while doors are off.)

1. Remove two screws attaching handle to bottom of freezer door.
2. Remove short trim piece by sliding trim straight up and off of handle bracket.
3. Remove screw attaching top of handle to door.
4. **Magnetic Nameplate Models:** Gently pry magnetic nameplate frame from door. Remove nameplate from its frame, turn frame upside down and install in old handle holes. Insert magnetic nameplate into frame.

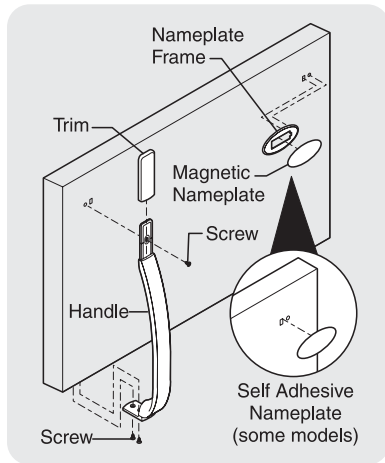
#### Self-Adhesive

#### Nameplate Models:

Gently peel off nameplate from door and reapply over old handle holes.

### TO ATTACH FREEZER HANDLE:

1. Reinstall handle on opposite side, using same hole as nameplate.
2. Attach handle to bottom of door.
3. Slide trim piece straight down onto handle bracket.



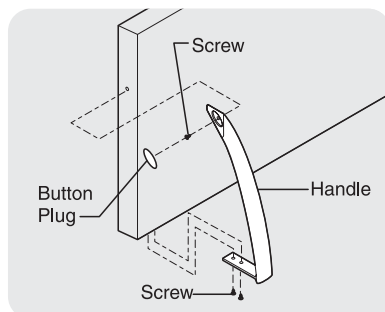
### TO REMOVE FREEZER HANDLE:

(Handles may be easier to reverse while doors are off.)

1. Remove two screws attaching handle to bottom of freezer door.
2. Remove button plug using edge of putty knife.
3. Remove screw on side of freezer door and remove handle.

### TO ATTACH FREEZER HANDLE:

1. Secure side of handle to door and replace button plug.
2. Secure handle to bottom of door.



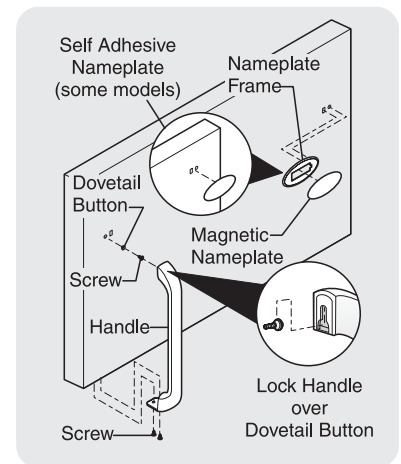
### TO REMOVE FREEZER HANDLE:

(Handles may be easier to reverse while doors are off.)

1. Remove two screws attaching handle to bottom of freezer door.
  2. Swing bottom of handle away from the door and slide handle straight up and off of dovetail button.
  3. Remove screw and dovetail button and install on other side, using the same holes as nameplate.
  4. **Magnetic Nameplate Models:** Use putty knife to gently pry magnetic nameplate frame from door. Remove nameplate from its frame, turn frame upside down and install in old handle holes. Insert magnetic nameplate into frame.
- Self-Adhesive Nameplate Models:** Use putty knife to gently peel off nameplate from door and reapply over old handle holes.

### TO ATTACH FREEZER HANDLE:

1. Start with handle offset away from door. Place top of handle over dovetail button, swing handle into an upright position and pull downward, locking it into place.
2. Secure bottom of handle with two screws removed earlier.



### TRIM REMOVAL (FULL-LENGTH TRIM MODELS ONLY)

In some models, the refrigerator door has a full length trim piece which continues from the bottom of the handle to the bottom of the door. The top of the trim attaches to the handle bracket (Figure 1) or fits around the base of the handle (Figure 2). An adhesive “trim lock” is positioned about halfway down. The bottom of the trim is held in place by either an adhesive trim lock, or a trim lock with two prongs inserted into a hole on the face of the door.

### TO REMOVE TRIM:

1. Remove trim by gently pulling trim lock areas out and away from door.
2. When trim is free from door, slide the trim straight down and away from base of handle.

### NOTE

For models with short handle trim, remove by sliding trim straight down and off of handle bracket.

### NOTE

To remove freezer handle, refer to figure 3 on page 9.



## DOOR REMOVAL / REVERSAL INSTRUCTIONS

### TO REMOVE REFRIGERATOR HANDLE:

(Handles may be easier to reverse while doors are off.)

#### Figure 1 Style Handles

1. Remove two screws attaching handle to top of refrigerator door.
2. Remove screw attaching bottom of handle to door.
3. Remove two hole plugs and hinge pin plug on top of door and install on opposite side. Use Phillips head screwdriver to remove plastic screw plug from front of door and install on opposite side

#### Figure 2 Style Handles

1. Remove two screws attaching handle to top of refrigerator door.
2. Swing top of handle away from door and slide handle down and off of dovetail button.
3. Remove screw and dovetail button and install on other side, moving hole plugs from corresponding holes to opposite side.

### TO ATTACH REFRIGERATOR HANDLE:

#### Figure 1 Style Handles

1. Secure bottom of handle with screws.
2. Secure top of handle with screws.

#### Figure 2 Style Handles

1. Start with handle offset away from door. Place bottom of handle over dovetail button, swing handle into an upright position and pull upward, locking it into place.
2. Secure top of handle with screws.

### TO REMOVE REFRIGERATOR HANDLE:

(Handles may be easier to reverse while doors are off.)

1. Remove two screws attaching handle to top of refrigerator door.
2. Remove button plug using edge of putty knife.
3. Remove screw on side of refrigerator door and remove handle.
4. Reverse freezer and refrigerator handles as shown in figure 3.

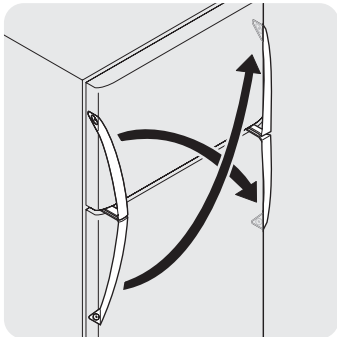
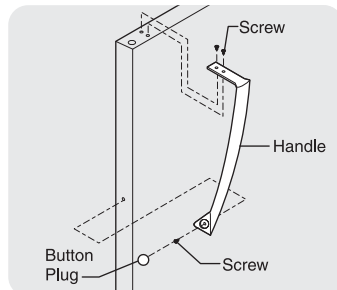


Figure 3 - Handle Reversal

### TO ATTACH REFRIGERATOR HANDLE:

1. Secure side of handle to door and replace plug button.
2. Secure handle to top of door.



Refrigerator Door Without Trim

### TO ATTACH TRIM:

1. Slide both trim locks out of trim.
2. Insert new adhesive trim locks contained in your literature pack.

#### NOTE

Trim lock must be removed and installed by sliding over the two donut shaped areas.

3. Install trim to handle by sliding under base of handle. Carefully align trim and press down at trim lock locations.
4. Use rubbing alcohol to remove any adhesive residue from old trim lock locations.

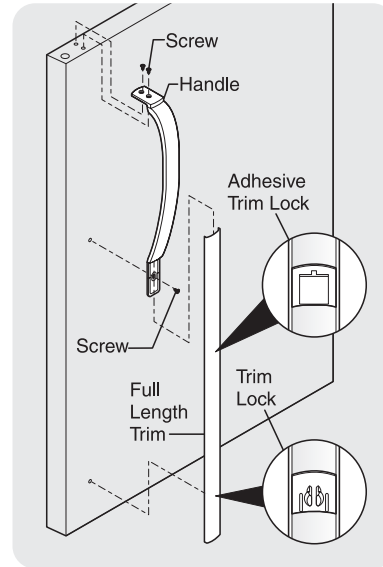


Figure 1

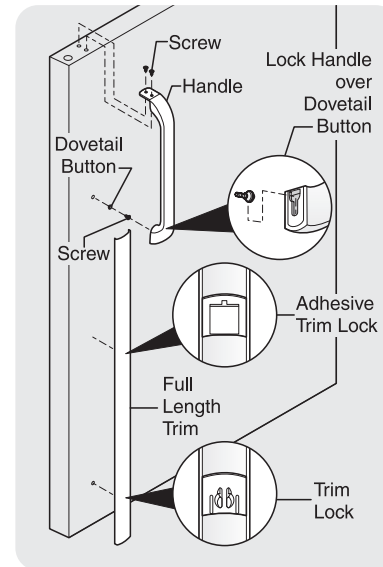


Figure 2





## DOOR REMOVAL / REVERSAL INSTRUCTIONS

### REMOVING STAINLESS STEEL DOORS AND HANDLES

#### CAUTION

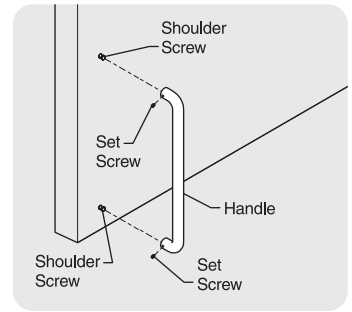
Use care when using tools near surface of stainless steel doors to avoid scratching.

#### To Remove Doors

Stainless steel doors are not reversible. Follow these steps to remove doors.

1. Remove toe grille and top hinge cover.
2. Remove top hinge and lift freezer door off of center hinge pin. Set door aside.
3. Unscrew center hinge bin using adjustable wrench and save for reassembly. Ensure plastic washer stays on hinge pin.
4. Lift refrigerator door off of bottom hinge and set aside.

5. Remove center hinge and shim by removing inside screw and loosening two outside screws enough to allow hinge to slide out.
6. Remove bottom hinge. Reinsert two outside screws in holes and tighten.
7. Reverse steps 1 - 6 to reinstall doors



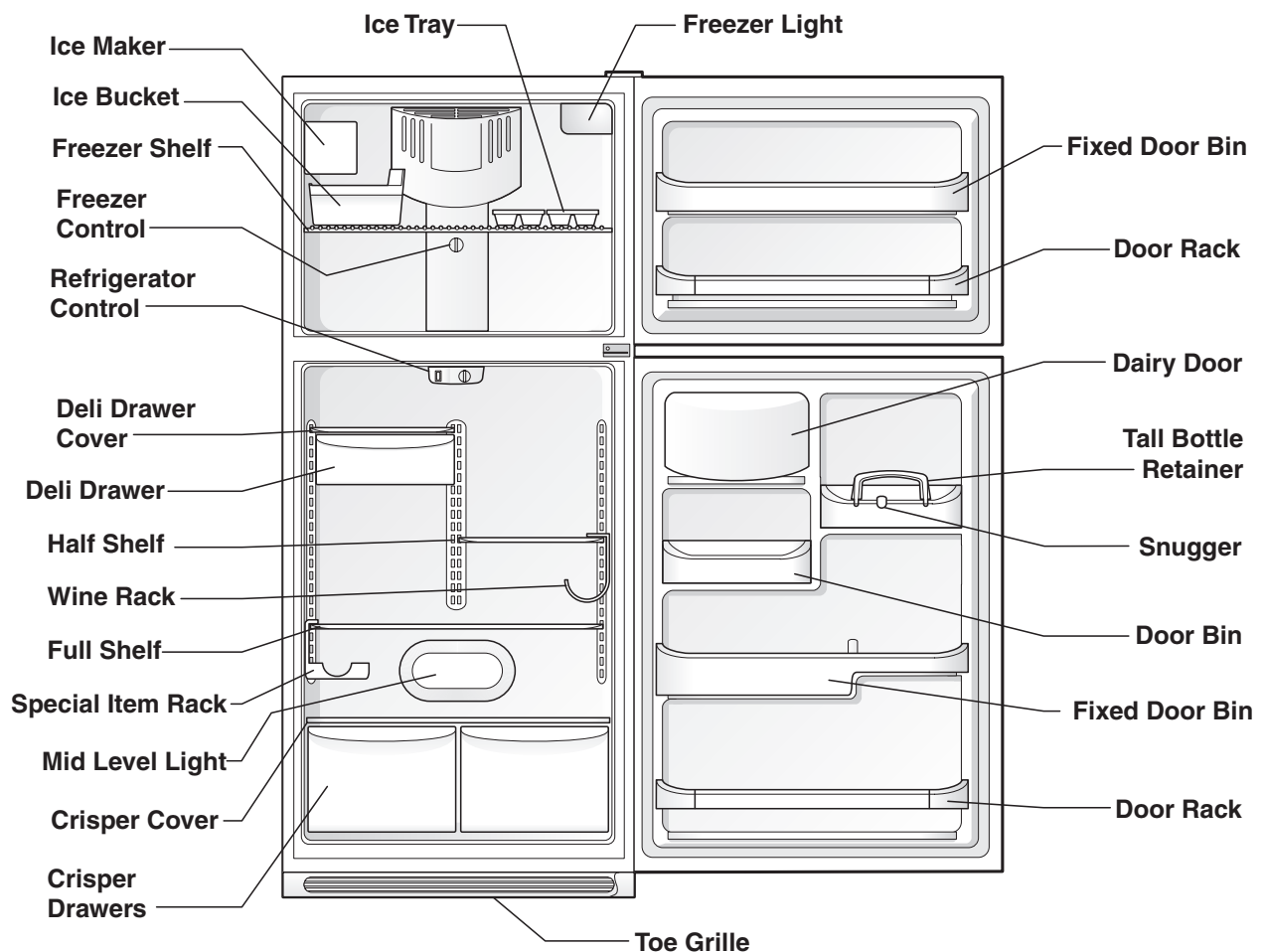
Typical Handle

#### To Remove Handles

1. Firmly hold freezer handle while loosening set screws with 3/32" allen wrench. Remove freezer handle.
2. Repeat step 1 for refrigerator door.



## FEATURES AT A GLANCE



Features may vary according to model



## TEMPERATURE CONTROLS

### COOL DOWN PERIOD

To ensure safe food storage, allow the refrigerator to operate with the doors closed for at least 8 to 12 hours before loading it with food.

### REFRIGERATOR & FREEZER CONTROLS

#### NOTE

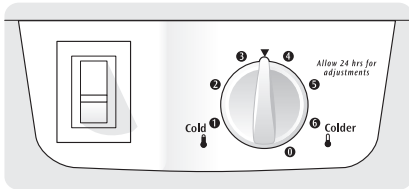
When making changes to the temperature controls, wait 24 hours for the temperature to stabilize before making additional changes.

#### NOTE

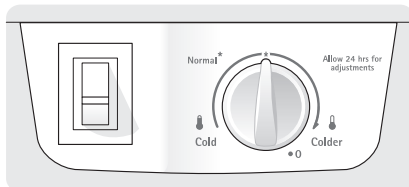
When first turning refrigerator on, move refrigerator and freezer controls to **Normal**. This is the recommended initial setting. After 24 hours, adjust the controls as needed.



Freezer Control (some models)



OR



Refrigerator Control (some models)

### TEMPERATURE ADJUSTMENT

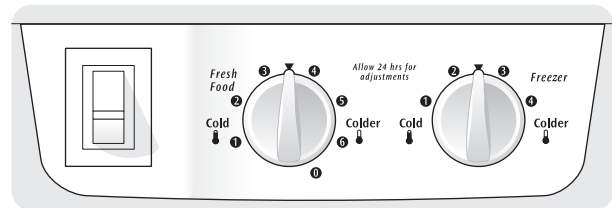
- **Adjust temperature gradually: move the knob in small increments, allowing the temperature to stabilize.**
- For colder temperatures, turn the knob towards **Colder**.
- For warmer temperatures, turn the knob towards **Cold**.

Turning the refrigerator control will change temperatures in both compartments. For example, if the refrigerator control is turned to a colder setting, the freezer control may have to be adjusted to a warmer setting. Turning the freezer control will change only the freezer temperature.

To maintain temperatures, a fan circulates air in the refrigerator and freezer compartments. For good circulation, do not block cold air vents with food items.

#### \* IMPORTANT

Turning the refrigerator temperature control to "0" turns off the compressor and prevents the refrigerator from cooling, but does not disconnect the power to the light bulb and other electrical components. To turn off power to your refrigerator, you must unplug the power cord from the wall outlet.



OR



Refrigerator & Freezer Control (some models)

TEMPERATURE ADJUSTMENT GUIDE	
<b>If Refrigerator compartment Is Too Warm</b>	Turn Refrigerator Control Slightly Towards <b>Colder</b> .
<b>If Refrigerator compartment Is Too Cold</b>	Turn Refrigerator Control Slightly Towards <b>Cold</b> .
<b>If Freezer compartment Is Too Warm</b>	Turn Freezer Control Slightly Towards <b>Colder</b> .
<b>If Freezer compartment Is Too Cold</b>	Turn Freezer Control Slightly Towards <b>Cold</b> .
<b>* To Turn Refrigerator Off</b>	Turn Refrigerator Control To <b>0</b> .



## LOOKING INSIDE

### **CAUTION**

To avoid personal injury or property damage, handle tempered glass shelves carefully. Shelves may break suddenly if nicked, scratched, or exposed to sudden temperature change.

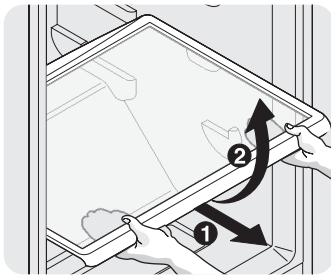
### SHELF ADJUSTMENT

Refrigerator shelves are easily adjusted to suit individual needs. Before adjusting the shelves, remove all food.

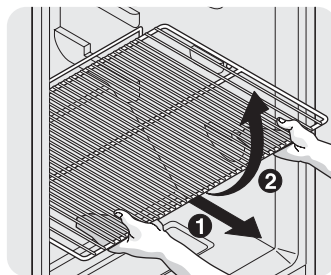
#### To adjust sliding shelves:

- 1 Remove shelf by pulling forward to stop position.
- 2 Lift front edge up and pull out.

Replace the shelf on any pair of rails by reversing this procedure.



Sliding Glass Shelf



Sliding Wire Shelf

#### To adjust cantilever shelves:

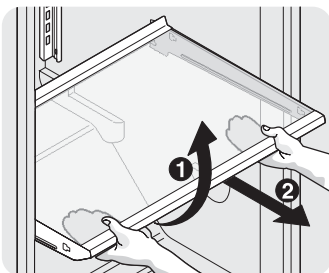
### NOTE

Cantilever shelves are supported at the back of the refrigerator. Cantilever shelves are available in either glass or wire.

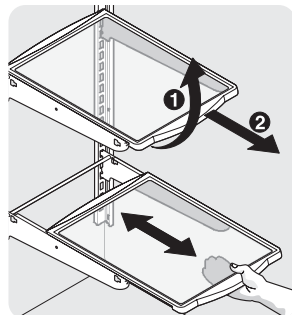
- 1 Lift front edge up.
- 2 Pull shelf out.

Replace the shelf by inserting the hooks at rear of the shelf into the wall bracket. Lower the shelf into the desired slots and lock into position.

*SpillSafe™* glass shelves (some models) catch and hold accidental spills. In some models, the *SpillSafe™* shelves slide out for easy access to food and for fast cleaning. The shelves slide out independently of the cantilever brackets. Just pull the front of the shelf forward. The shelf can be extended as far as the stopper will allow but it is **not** removable from the cantilever bracket.



Full Width Cantilever Glass Shelf



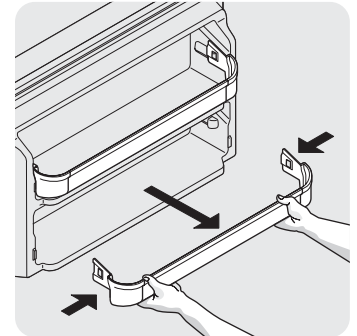
Cantilever Glass Shelf Fixed and Sliding

### DOOR STORAGE

Door bins, shelves, and racks are provided for convenient storage of jars, bottles, and cans. Frequently used items can be quickly selected.

Some models have door racks or bins that can accommodate gallon-sized plastic drink containers and economy-sized jars and containers. Some racks are adjustable for maximum storage capacity.

The dairy compartment, which is warmer than the general food storage section, is intended for short term storage of cheese, spreads, or butter.



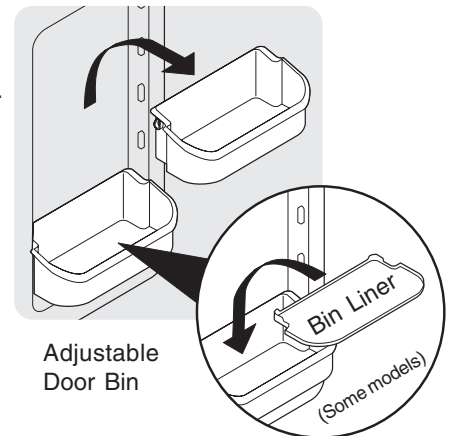
Door Rack

### ADJUSTABLE DOOR BINS

Some models have adjustable door bins that can be moved to suit individual needs.

#### To move door bins

1. Lift bin straight up.
2. Remove bin.
3. Place bin in desired position.
4. Lower bin onto supports until locked in place.

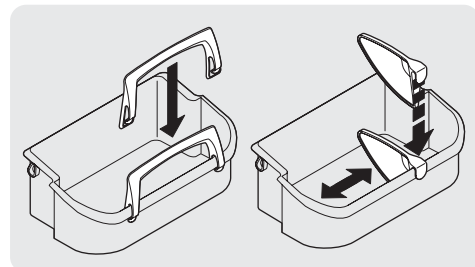


Adjustable Door Bin

(Some models)

### TALL BOTTLE RETAINER (SOME MODELS)

The Tall Bottle Retainer keeps tall containers in the bin from falling forward when opening or closing the refrigerator door. To install, hold the retainer at the top, and slide it over the outside wall of the bin, as shown in the diagram. The Tall Bottle Retainer works best with a Bin Snugger.

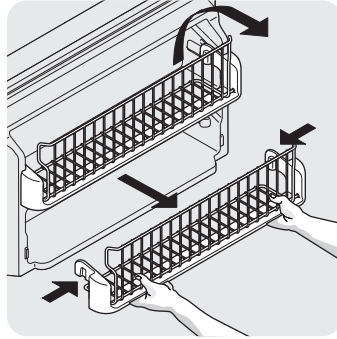


Tall Bottle Retainer (left) and Bin Snugger (right)



## LOOKING INSIDE (CONTINUED)

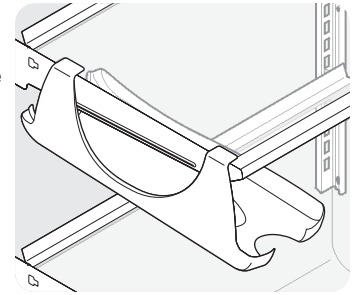
### FREEZER TILT OUT DOOR RACK



Freezer Tilt Out Door Rack

### SPECIAL ITEM RACK (SOME MODELS)

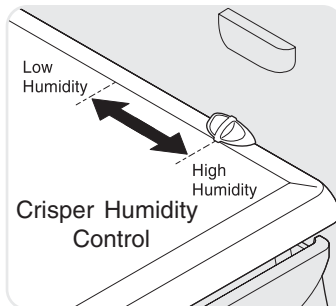
The innovative design of the Special Item Rack allows you to store a six-pack of 12 ounce drink cans, a bottle of wine, a two-liter soft drink bottle, or a carton of eggs. The Special Item Rack mounts on the left side of your refrigerator. To install, just slide the Special Item Rack onto any shelf as shown in the drawing.



Special Item Rack

### HUMIDITY CONTROL (SOME MODELS)

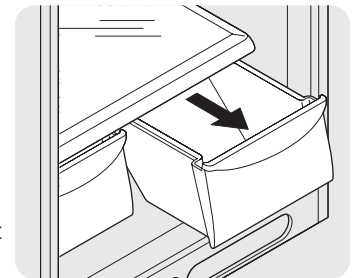
The Humidity Control, present on some models with crisper drawers, allows you to adjust the humidity within the crisper. This can extend the life of fresh vegetables that keep best in high humidity.



Crisper Humidity Control

### CRISPERS (SOME MODELS)

The crispers, located under the bottom refrigerator shelf, are designed for storing fruits, vegetables, and other fresh produce. Wash items in clear water and remove excess water before placing them in the crispers. Items with strong odors or high moisture content should be wrapped before storing.



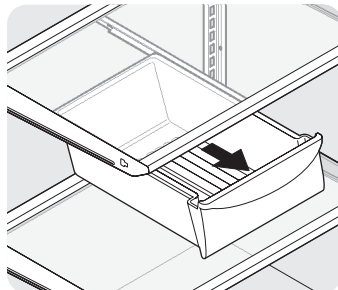
Crisper Drawer

### NOTE

Leafy vegetables keep best when stored with the Humidity Control set on **High Humidity**, or in a drawer without a Humidity Control. This keeps incoming air to a minimum and maintains maximum moisture content.

### DELI DRAWER (SOME MODELS)

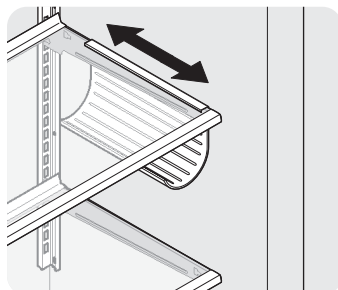
Some models are equipped with a Deli Drawer for storage of luncheon meats, spreads, cheeses, and other deli items.



Deli Drawer

### WINE RACK (SOME MODELS)

The Wine Rack stores bottles of wine, or single two-liter plastic bottles of juice or soda pop. To install, slide the Wine Rack onto the shelf with the curve facing in. To remove, slide the Wine Rack out. Install on either side of shelf.



Wine Rack



## FOOD STORAGE & ENERGY SAVING IDEAS

### FOOD STORAGE IDEAS

#### Fresh Food Storage

- The fresh food compartment should be kept between 34°F and 40° F with an optimum temperature of 37° F.
- Avoid overcrowding the refrigerator shelves. This reduces the circulation of air around the food and results in uneven cooling.

#### Fruits and Vegetables

- Storage in the crisper drawers traps moisture to help preserve the fruit and vegetable quality for longer time periods.

#### Meat

- Raw meat and poultry should be wrapped securely so leakage and contamination of other foods or surfaces does not occur.

#### Frozen Food Storage

- The freezer compartment should be kept at 0° F or lower.
- A freezer operates most efficiently when it is at least 2/3 full.

#### Packaging Foods for Freezing

- To minimize dehydration and quality deterioration, use aluminum foil, freezer wrap, freezer bags or airtight containers. Force as much air out of the packages as possible and seal them tightly. Trapped air can cause food to dry out, change color, and develop an off-flavor (freezer burn).
- Wrap fresh meats and poultry with suitable freezer wrap prior to freezing.
- Do not refreeze meat that has completely thawed.

#### Loading the Freezer

- Avoid adding too much warm food to the freezer at one time. This overloads the freezer, slows the rate of freezing, and can raise the temperature of frozen foods.
- Leave a space between the packages, so cold air can circulate freely, allowing food to freeze as quickly as possible.
- Avoid storing hard-to-freeze foods such as ice cream and orange juice on the freezer door shelves. These foods are best stored in the freezer interior where the temperature varies less.



### ENERGY SAVING IDEAS

- Locate the refrigerator in the coolest part of the room, out of direct sunlight, and away from heating ducts or registers. Do not place the refrigerator next to heat-producing appliances such as a range, oven, or dishwasher. If this is not possible, a section of cabinetry or an added

layer of insulation between the two appliances will help the refrigerator operate more efficiently.

- Level the refrigerator so that the doors close tightly.
- Refer to this Use & Care Manual for the suggested temperature control settings.
- Periodic cleaning of the condenser will help the refrigerator run more efficiently. See the *Care and Cleaning Chart*.
- Do not overcrowd the refrigerator or block cold air vents. Doing so causes the refrigerator to run longer and use more energy.
- Cover foods and wipe containers dry before placing them in the refrigerator. This cuts down on moisture build-up inside the unit.
- Organize the refrigerator to reduce door openings. Remove as many items as needed at one time and close the door as soon as possible.



## ICE SERVICE

If your refrigerator has an automatic ice maker, it will provide a sufficient supply of ice for normal use. During the initial startup of your refrigerator, no ice will be produced during the first 24 hours of operation. Air in new plumbing lines may cause the ice maker to cycle two or three times before making a full tray of ice. With no usage, it will take approximately one to two days to fill the ice container.

New plumbing connections may cause the first production of ice cubes to be discolored or have an odd flavor. Discard ice made during the first 24 hours.

### NOTE

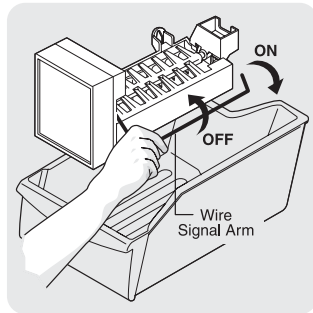
**NOTE:** Automatic ice makers are also optional accessories that may be installed in most models at any time. Call your local dealer for information.

### TURNING YOUR ICE MAKER ON

After the plumbing connections have been completed, the water supply valve must be opened. Place the ice container under the ice maker, pushing it as far back as possible. Lower the wire signal arm to its “down” or ON position.

### TURNING YOUR ICE MAKER OFF

To stop the ice maker, lift the wire signal arm until it clicks and locks in the “up” or OFF position. The ice maker also turns off automatically when the ice container is full. If your model has an adjustable freezer shelf, place the shelf in the lower position, so that the wire signal arm will hit the ice when the container is full.



### IMPORTANT

Your ice maker is shipped from the factory with the wire signal arm in the ON position. To ensure proper function of your ice maker, hook up water supply immediately or turn ice maker OFF by lifting the wire signal arm until it clicks and locks in the UP position. **If the ice maker is not turned off and the water supply is not connected, the water valve will make a loud chattering noise.**

### ICE PRODUCTION: WHAT TO EXPECT

The ice maker will produce 2.5 to 3 pounds of ice every 24 hours depending on usage conditions. Ice is produced at a rate of 8 cubes every 80 to 160 minutes.

### CAUTION

**Chemicals from a malfunctioning softener can damage the ice maker. If the ice maker is connected to soft water, ensure that the softener is maintained and working properly.**

### ICE MAKER TIPS

- Ice cubes stored too long may develop an odd flavor. Empty the ice container and ensure that the wire signal arm is in its “down” or ON position. The ice maker will then produce more ice.
- Occasionally shake the ice container to keep ice separated.
- Stop the ice maker when cleaning the freezer and during vacations.
- If the ice maker will be turned off for a long period of time, turn the water supply valve to a closed position.

### NOTE

For information on ice maker noises, see *Normal Operating Sounds and Sights* section.

### CAUTION

**DO NOT place the ice container in your dishwasher.**

- Wash the ice container in warm water with mild detergent. Rinse well and dry.
- Stop the ice maker when cleaning the freezer and during vacations.
- If the ice maker will be turned off for a long period of time, turn the water supply valve to the closed position.



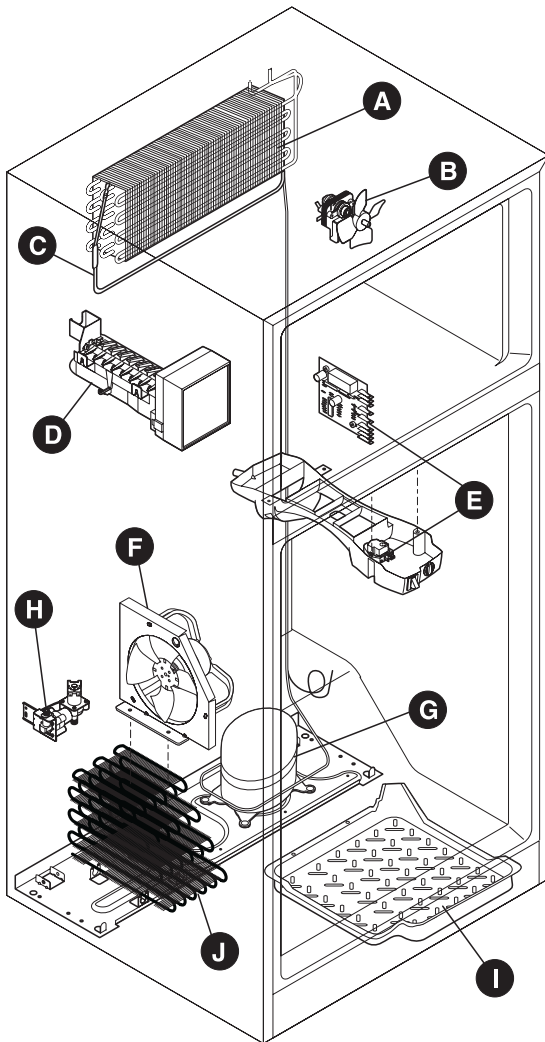
## NORMAL OPERATING SOUNDS & SIGHTS

### UNDERSTANDING THE SOUNDS YOU MAY HEAR

Your new high-efficiency refrigerator may make unfamiliar sounds. These are all normal sounds and soon will become familiar to you. They also indicate your refrigerator is operating as designed. Hard surfaces, such as vinyl or wood floors, walls, and kitchen cabinets may make sounds more noticeable. Listed below are descriptions of some of the most common sounds you may hear, and what is causing them.

#### NOTE

Rigid foam insulation is very energy efficient, but is not a sound insulator.



#### A. Evaporator

The flow of refrigerant through the evaporator may create a boiling or gurgling sound.

#### B. Evaporator Fan

You may hear air being forced through the refrigerator by the evaporator fan.

#### C. Defrost Heater

During defrost cycles, water dripping onto the defrost heater may cause a hissing or sizzling sound. After defrosting, a popping sound may occur.

#### IMPORTANT

During the automatic defrost cycle, you may notice a red glow in the vents on the back wall of your freezer compartment. This is normal during the defrost cycle.

#### D. Automatic Ice Maker

If your refrigerator is equipped with an automatic ice maker, you will hear ice cubes falling into the ice bin.

#### E. Cold Control & Defrost Timer or Automatic Defrost Control

These parts can produce a snapping or clicking sound when turning the refrigerator on and off. The timer also produces sounds similar to an electric clock.

#### F. Condenser Fan

If condenser coils are located underneath your refrigerator as shown in the drawing at the left, you have a condenser fan. You may hear air being forced through the condenser by the condenser fan.

#### G. Compressor

Modern, high-efficiency compressors operate much faster than older models. The compressor may have a high-pitched hum or pulsating sound.

#### H. Water Valve

If your refrigerator is equipped with an automatic ice maker, you will hear a buzzing sound as the water valve opens to fill the ice maker during each cycle.

#### I. Drain Pan (Nonremovable)

You may hear water running into the drain pan during the defrost cycle. The drain pan will be located on top of the compressor for air-cooled condensers (black coils on back of refrigerator).

#### J. Condenser Coils (Fan-cooled models only)



## CARE & CLEANING

Keep your refrigerator and freezer clean to prevent odor build-up. Wipe up any spills immediately and clean both sections at least twice a year. **Never** use any type of scouring pads, brushes, abrasive cleaners or strong alkaline solutions on any surface. **Do not** wash any removable parts in a dishwasher. **Always unplug the electrical power cord from the wall outlet before cleaning.**

### CAUTION

- When moving the refrigerator, pull straight out. Do not shift the refrigerator from side to side as this may tear or gouge the floor covering. If the refrigerator has an automatic ice maker, be careful not to move the refrigerator beyond the plumbing connections.
- Damp objects stick to cold metal surfaces. Do not touch refrigerated surfaces with wet or damp hands.
- Never use CHLORIDE to clean stainless steel.

### NOTE

- Turning the refrigerator temperature control to “0” turns off the compressor, but does not disconnect electrical power to the light bulb or other electrical components. To turn off power to your refrigerator, you must unplug the power cord from the wall outlet.
- Do not use razor blades or other sharp instruments which can scratch the appliance surface when removing adhesive labels. Any glue left from tape or labels can be removed with a mixture of warm water and mild detergent, or, touch the glue residue with the sticky side of tape you have already removed. **Do not remove the serial plate.**

## Care & Cleaning Chart

Part	What To Use	Tips and Precautions
Interior/Door Liner	<ul style="list-style-type: none"> <li>• Soap and water</li> <li>• Baking soda and water</li> </ul>	Use 2 tablespoons of baking soda in 1 quart of warm water. <b>Be sure to wring excess water out of sponge or cloth before cleaning around controls, light bulb or any electrical part.</b>
Door Gaskets	<ul style="list-style-type: none"> <li>• Soap and water</li> </ul>	Wipe gaskets with a clean soft cloth.
Drawers/Bins	<ul style="list-style-type: none"> <li>• Soap and water</li> </ul>	Do not wash any removable items (bins, drawers, etc.) in dishwasher.
Glass Shelves	<ul style="list-style-type: none"> <li>• Soap and water</li> <li>• Glass cleaner</li> <li>• Mild liquid sprays</li> </ul>	Allow glass to warm to room temperature before immersing in warm water.
Toe Grille	<ul style="list-style-type: none"> <li>• Soap and water</li> <li>• Mild liquid sprays</li> <li>• Vacuum attachment</li> </ul>	Vacuum dust from front of toe grille. Remove toe grille Vacuum backside and wipe with sudsy cloth or sponge. Rinse and dry.
Exterior and Handles	<ul style="list-style-type: none"> <li>• Soap and water</li> </ul>	Do not use commercial household cleaners, ammonia, or alcohol to clean handles.
Exterior and Handles (Stainless Steel Models Only)	<ul style="list-style-type: none"> <li>• Soap and water</li> <li>• Ammonia</li> <li>• Stainless Steel Cleaners</li> </ul>	<p><b>CAUTION: Never use CHLORIDE to clean stainless steel.</b></p> <p>Clean stainless steel front and handles with non-abrasive soapy water and a dishcloth. Rinse with clean water and a soft cloth. Wipe stubborn spots with an ammonia-soaked paper towel, and rinse. Use a non-abrasive stainless steel cleaner. These cleaners can be purchased at most home improvement or major department stores. Always follow manufacturer's instructions.</p> <p>NOTE: Always clean, wipe and dry with the grain to prevent cross-grain scratching. Wash the rest of the cabinet with warm water and mild liquid detergent. Rinse well, and wipe dry with a clean soft cloth.</p>
Condenser Coils (Fan-cooled models only)	<ul style="list-style-type: none"> <li>• Condenser Cleaning Brush is available from your dealer.</li> <li>• Vacuum Cleaner</li> </ul>	No need to clean unless operating refrigerator under particularly dusty or greasy conditions, or if there is significant pet traffic in your home. If cleaning is necessary, remove toe grille and use extended vacuum attachment and condenser cleaning brush to remove dust build-up from condenser coils (see item “J” in “NORNAL OPERATING SOUNDS & SIGHTS”).
Condenser Coils (Air-cooled models only)	<ul style="list-style-type: none"> <li>• Vacuum Cleaner</li> </ul>	Use the dusting tool attachment on your vacuum to remove dust build-up on the condenser coils (black tubes and wires) attached to the back of air-cooled refrigerators only.
Defrost Water Pan	<ul style="list-style-type: none"> <li>• Soap and water</li> </ul>	Some models have defrost water pan located on top of compressor at bottom rear of refrigerator (see illustration on next page). Wipe water pan with damp cloth. NOTE: The defrost water pan is NOT removable.
Exterior (Easy Care Stainless Steel Models)	<ul style="list-style-type: none"> <li>• Soap and water</li> <li>• Mild liquid sprays</li> </ul>	<p><b>CAUTION: DO NOT use abrasive or stainless steel cleaners on Easy Care Stainless Steel Models. It will remove the protective finish.</b></p> <p>Use warm soapy water to clean Easy Care surfaces. Mild liquid sprays may be used on stubborn spots.</p>

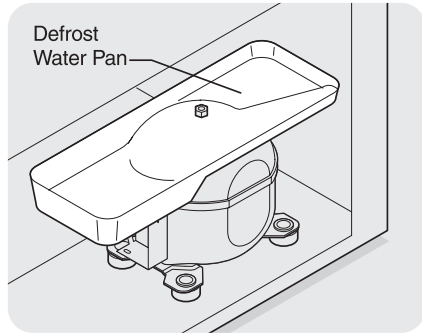




## CARE & CLEANING (CONTINUED)

### NEVER CLEAN CONDENSER (SOME MODELS)

If your refrigerator is equipped with a Never Clean condenser, there's no need to clean the condenser under normal operating conditions. If the refrigerator is operated under particularly dusty or greasy conditions, or if there is significant pet traffic in your home, it may be necessary to periodically clean the condenser for maximum efficiency.



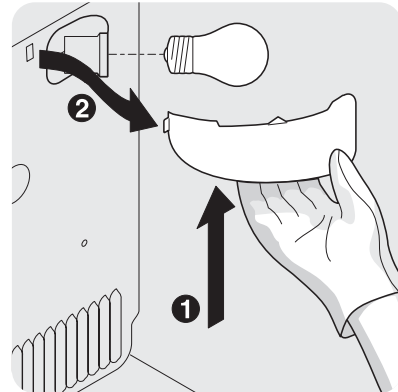
Defrost Water Pan (some models)

### REPLACING THE FREEZER LIGHT BULB (SOME MODELS)

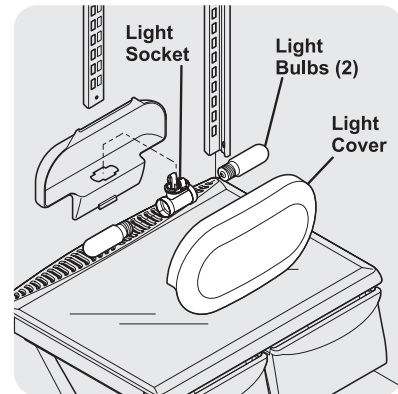
1. Unplug refrigerator.
2. Wear gloves as protection against possible broken glass.
3. Unsnap light shield as shown.
4. Unscrew and replace old bulb with an appliance bulb of the same wattage.
5. Replace light shield.
6. Remember to plug the refrigerator back in.

### CAUTION

Avoid cuts when replacing light bulbs, wear gloves.



Freezer Light Cover Removal



Refrigerator Mid-Level Light Cover Removal

Vacation and Moving Tips	
<b>Short Vacations</b>	<ul style="list-style-type: none"> <li>• Leave refrigerator operating during vacations of 3 weeks or less.</li> <li>• Use all perishable items from refrigerator compartment.</li> <li>• Turn automatic ice maker off and empty ice bucket, even if you will only be gone for a few days.</li> </ul>
<b>Long Vacations</b>	<ul style="list-style-type: none"> <li>• Remove all food and ice if you will be gone one month or more.</li> <li>• Turn controls to "O" ( the OFF position) and disconnect power.</li> <li>• Turn off automatic ice maker and turn water supply valve to closed position.</li> <li>• Clean interior thoroughly.</li> <li>• Leave both doors open to prevent odors and mold build-up. Block doors open if necessary.</li> </ul>
<b>Moving</b>	<ul style="list-style-type: none"> <li>• Remove all food and ice.</li> <li>• If using handcart, load from side.</li> <li>• Adjust rollers all the way up to protect them during sliding or moving.</li> <li>• Pad cabinet to avoid scratching surface.</li> </ul>



# WARRANTY

## REFRIGERATOR WARRANTY

Your refrigerator is protected by this warranty

	WARRANTY PERIOD	THROUGH OUR AUTHORIZED SERVICERS, WE WILL:	THE CONSUMER WILL BE RESPONSIBLE FOR:
<b>FULL ONE-YEAR WARRANTY</b>	One year from original purchase date	Pay all costs for repairing or replacing any parts of this appliance which prove to be defective in materials or workmanship. Excludes original and replacement Ice & Water filter cartridges (if equipped). Original and replacement cartridges are warranted for 30 days (parts only).	Costs of service calls that are listed under <b>NORMAL RESPONSIBILITIES OF THE CONSUMER.</b> *

\* In addition to warranty shown above, ask your dealer about Crosley Extended Limited Warranty that comes to you at no extra charge for the 2<sup>nd</sup> through 10<sup>th</sup> years.

In the U.S.A., your appliance is warranted by Crosley Corporation. We authorize no person to change or add to any of our obligations under this warranty. Our obligations for service and parts under this warranty must be performed by an authorized Crosley Corporation servicer. In Canada, your appliance is warranted by Crosley Canada Corp.

### \*NORMAL RESPONSIBILITIES OF THE CONSUMER

**This warranty applies only to products in ordinary household use, and the consumer is responsible for the items listed below:**

1. Proper use of the appliance in accordance with instructions provided with the product.
2. Proper installation by an authorized servicer in accordance with instructions provided with the appliance and in accordance with all local plumbing, electrical and/or gas codes.
3. Proper connection to a grounded power supply of sufficient voltage, replacement of blown fuses, repair of loose connections or defects in house wiring.
4. Expenses for making the appliance accessible for servicing, such as removal of trim, cupboards, shelves, etc., which are not a part of the appliance when it was shipped from the factory.
5. Damages to finish after installation.
6. Replacement of light bulbs and/or fluorescent tubes (on models with these features).

### EXCLUSIONS

**This warranty does not cover the following:**

1. CONSEQUENTIAL OR INCIDENTAL DAMAGES SUCH AS PROPERTY DAMAGE AND INCIDENTAL EXPENSES RESULTING FROM ANY BREACH OF THIS WRITTEN OR ANY IMPLIED WARRANTY.  
**NOTE:** Some states do not allow the exclusion or limitation of incidental or consequential damages, so this limitation or exclusion may not apply to you.
2. Service calls which do not involve malfunction or defects in workmanship or material, or for appliances not in ordinary household use. The consumer shall pay for such service calls.
3. Damages caused by services performed by servicers other than Crosley Corporation, Crosley Canada Corp. or its authorized servicers; use of parts other than genuine Crosley Corporation parts; obtained from persons other than such servicers; or external causes such as abuse, misuse, inadequate power supply or acts of God.
4. Products with original serial numbers that have been removed or altered and cannot be readily determined.

### IF YOU NEED SERVICE

Keep your bill of sale, delivery slip, or some other appropriate payment record. The date on the bill establishes the warranty period should service be required. If service is performed, it is in your best interest to obtain and keep all receipts. This written warranty gives you specific legal rights. You may also have other rights that vary from state to state. Service under this warranty must be obtained by contacting Crosley Corporation or Crosley Canada Corp.

This warranty only applies in the 50 States of the U.S.A., in Puerto Rico, and in Canada. Product features or specifications as described or illustrated are subject to change without notice. All warranties are made by Crosley Corporation. In Canada, your appliance is warranted by Crosley Canada Corp.

Rev. 01/2006

### FOR WARRANTY INFORMATION CONTACT:

USA 800-944-9044  
Canada 800-668-4606

### FOR PRODUCT INFORMATION CONTACT:

336-761-1212  
Crosley Corporation  
111 Cloverleaf Dr.  
Winston-Salem, NC 27103  
[www.crosley.com](http://www.crosley.com)



## BEFORE YOU CALL

**1-800-944-9044** (United States)

**1-800-668-4606** (Canada)

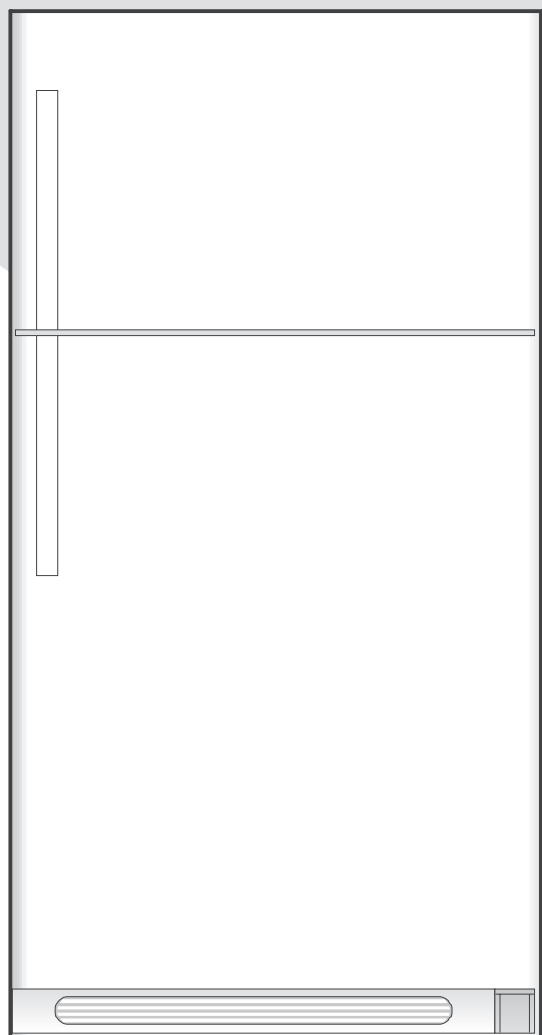
Visit our web site at  
**[www.crosley.com](http://www.crosley.com)**.

<b>Common Occurrences</b>	Before calling for service, review this list. It may save you time and expense. This list includes common occurrences that are not the result of defective workmanship or materials in this appliance.
<b>Refrigerator does not run.</b>	<ul style="list-style-type: none"> <li>• Ensure plug is tightly pushed into electrical outlet.</li> <li>• Check/replace fuse with a 15 amp time-delay fuse. Reset circuit breaker.</li> <li>• The temperature control is turned to "O".</li> <li>• Refrigerator may be in defrost cycle. Wait 20 minutes and check again.</li> </ul>
<b>Freezer temperature too cold. Refrigerator temperature is satisfactory.</b>	<ul style="list-style-type: none"> <li>• Set freezer control to a warmer setting until freezer temperature is satisfactory. Allow 24 hours for the temperature to stabilize.</li> </ul>
<b>Refrigerator temperature too cold. Freezer temperature is satisfactory.</b>	<ul style="list-style-type: none"> <li>• Set refrigerator control to a warmer setting. Allow 24 hours for temperature to stabilize. Then check freezer temperatures and adjust as needed.</li> </ul>
<b>Refrigerator is noisy or vibrates.</b>	<ul style="list-style-type: none"> <li>• The cabinet is not level.</li> <li>• Floor is weak.</li> <li>• See <i>Normal Operating Sounds and Sights</i> section.</li> </ul>
<b>Odors in refrigerator.</b>	<ul style="list-style-type: none"> <li>• Interior needs to be cleaned.</li> <li>• Foods that produce odors should be covered or wrapped.</li> </ul>
<b>Cabinet light not working.</b>	<ul style="list-style-type: none"> <li>• Replace light bulb.</li> <li>• Ensure plug is tightly pushed into electrical outlet.</li> <li>• Light switch may be stuck. Push in light switch, located on the refrigerator control box, to release.</li> </ul>
<b>Automatic ice maker not working. (some models)</b>	<ul style="list-style-type: none"> <li>• Ensure the Wire Signal Arm is not in UP position.</li> <li>• Ice maker should produce 2.5 to 3 pounds of ice in a 24 hour period.</li> <li>• Water supply is turned off.</li> <li>• Water pressure is too low.</li> <li>• The freezer is not cold enough.</li> </ul>

# CROSLEY

## Manual de uso y cuidado

### Refrigerador *de instalación superior*



<b>Bienvenido</b> .....	2	
<b>Instrucciones de seguridad</b> .....	3	
<b>Instalación</b> - Incluye conexión del refrigerador al suministro de agua .....	4 - 5	
<b>Desinstalación e inversión de la puerta</b> .....	6 - 9	
<b>Vista general</b> .....	9	
<b>Controles de temperatura</b> .....	10	
<b>Vista interior</b> .....	11 - 12	
<b>Servicio de hielo</b> .....	13	
<b>Almacenamiento de alimentos y ahorro de energía</b> .....	14	
<b>Sonidos normales de funcionamiento</b> .....	15	
<b>Cuidado y limpieza</b> .....	16 - 17	
<b>Garantía</b> .....	18	
<b>Antes de solicitar servicio técnico</b> .....	19	



## BIENVENIDO Y ENHORABUENA

Enhorabuena por la compra de su nuevo refrigerador. En **Crosley Corporation** nos sentimos muy orgullosos de nuestros productos y nos comprometemos a ofrecerle el mejor servicio posible. Su satisfacción es nuestra prioridad número uno.

Lea cuidadosamente este manual de uso y cuidado. Contiene información valiosa sobre el mantenimiento adecuado de su nuevo refrigerador.

Sabemos que disfrutará de su nuevo refrigerador y **le agradecemos** haber seleccionado nuestro producto. Esperamos que también nos elija en sus compras futuras.

### **POR FAVOR LEA Y GUARDE ESTAS INSTRUCCIONES.**

Este manual de uso y cuidado le proporciona instrucciones de funcionamiento específicas para su modelo. Use su refrigerador solamente como se indica en este manual. Estas instrucciones no tienen por objeto cubrir todas las posibles condiciones y situaciones que se puedan presentar. Cuando se instale, opere o repare cualquier artefacto, se debe tener cuidado y sentido común.

**Anote el número de modelo y de serie en el espacio provisto a continuación para referencia futura. Puede encontrar esta información en la placa de serie ubicada dentro del refrigerador.**

#### **NOTA**

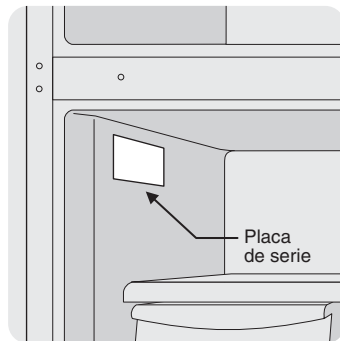
Use solamente agua y jabón para limpiar la placa de serie.

Número de modelo: \_\_\_\_\_

Número de serie: \_\_\_\_\_

Fecha de compra: \_\_\_\_\_

*Llene y envíe por correo la **tarjeta de registro del producto** que se incluye con su refrigerador.*



### **PARA EL CONTACTO DE INFORMACION DE PRODUCTO:**

**336-761-1212**

Crosley Corporation  
111 Cloverleaf Dr.  
Winston-Salem, NC 27103  
[www.crosley.com](http://www.crosley.com)

Anexe aquí su factura de compra para futura referencia.



## INSTRUCCIONES IMPORTANTES DE SEGURIDAD



### ADVERTENCIA

Lea todas las instrucciones antes de usar este refrigerador.

#### PARA SU SEGURIDAD

- No almacene o use gasolina u otros líquidos inflamables cerca de este o de cualquier otro electrodoméstico. Lea las etiquetas del producto para obtener más información sobre la inflamabilidad y otros peligros.
- No haga funcionar el refrigerador en presencia de vapores explosivos.
- Evite cualquier contacto con las piezas móviles del fabricante automático de hielo.
- Retire todas las grapas de la caja de cartón. Las grapas pueden causar cortadas graves y también dañar el acabado si entran en contacto con otros electrodomésticos o muebles.

#### SEGURIDAD DE LOS NIÑOS

Destruya o recicle inmediatamente la caja de cartón, las bolsas de plástico y cualquier otro material de empaque exterior después de que el refrigerador sea desempacado. Los niños **NUNCA** deben jugar con estos artículos. Las cajas de cartón cubiertas con alfombras, colchas, hojas de plástico o envolturas elastizadas y cualquier otro material de empaque pueden convertirse en cámaras herméticas y causar asfixia rápidamente.

### ADVERTENCIA

Se deben seguir estas normas para asegurar que los mecanismos de seguridad de este refrigerador funcionen correctamente.

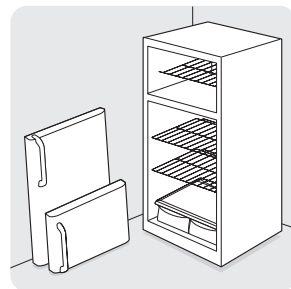
#### INFORMACIÓN ELÉCTRICA

- **El refrigerador debe ser enchufado a un tomacorriente de 115 V, 60 Hz CA, donde no se enchufen otros aparatos.** El cordón eléctrico del electrodoméstico cuenta con un enchufe de tres clavijas con puesta a tierra para proteger a las personas del peligro de choque eléctrico. Debe enchufarse directamente a un tomacorriente de tres alvéolos debidamente puesto a tierra. El tomacorriente debe ser instalado de acuerdo con los códigos y leyes locales. Consulte a un electricista calificado. **No use un cordón de extensión ni un adaptador.**
- Si el cordón eléctrico está dañado, solicite al fabricante, a un técnico de servicio o a una persona calificada que lo reemplace para prevenir cualquier riesgo.
- Nunca desenchufe el refrigerador tirando del cordón eléctrico. Siempre sostenga firmemente el enchufe y tire derecho hacia afuera del tomacorriente para evitar dañar el cordón eléctrico.
- Desenchufe el refrigerador antes de limpiar y antes de reemplazar una bombilla, para evitar choques eléctricos.
- El rendimiento del electrodoméstico puede verse afectado si el voltaje varía en un 10% o más. Hacer funcionar el refrigerador con energía insuficiente puede dañar el compresor. Tales daños no están cubiertos por la garantía.
- No enchufe el electrodoméstico a un tomacorriente controlado por un interruptor de pared o interruptor de cordón, para evitar que el refrigerador se apague accidentalmente.
- Evite conectar el refrigerador a un circuito con interruptor de falla de conexión a tierra (GFI).

#### CÓMO DESECHAR ADECUADAMENTE SU REFRIGERADOR O CONGELADOR

##### Riesgo de que los niños queden atrapados

El riesgo de que los niños queden atrapados o asfixiados por un electrodoméstico no es un problema del pasado. Los refrigeradores o congeladores desechados o abandonados todavía son peligrosos, incluso si se dejan abandonados "sólo por algunos días". Si se va a deshacer de su refrigerador o congelador usado, siga las instrucciones a continuación para evitar accidentes.



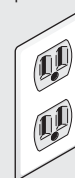
##### Antes de deshacerse de su refrigerador/congelador antiguo:

- Retire las puertas.
- Deje las bandejas en su lugar de modo que los niños no puedan preparar en el aparato con facilidad.
- Solicite a un técnico calificado de servicio que retire el refrigerante.

#### IMPORTANTE

Si gira los controles del congelador y del refrigerador a la posición "0", se apagará el compresor y el refrigerador no enfriará, pero no se interrumpirá el suministro eléctrico a la luz interior y a otros componentes eléctricos. Para apagar el refrigerador debe desenchufar el cordón eléctrico del tomacorriente.

Tomacorriente con puesta a tierra



No corte, retire ni deshabilite la clavija de conexión a tierra bajo ninguna circunstancia.

Cordón eléctrico de 3 clavijas con puesta a tierra





# INSTALACIÓN

Este manual de uso y cuidado le proporciona instrucciones de funcionamiento específicas para su modelo. Use su refrigerador solamente como se indica en este Manual de uso y cuidado. **Antes de encender el refrigerador, siga estos importantes primeros pasos.**

## UBICACIÓN

- Elija un lugar que se encuentre próximo a un tomacorriente con conexión a tierra. **No** utilice un cordón de extensión ni un adaptador.
- Si es posible, ubique el refrigerador fuera de la luz directa del sol y alejado de la estufa, del lavavajillas o de cualquier otra fuente de calor.
- El refrigerador debe ser instalado sobre un piso nivelado, lo suficientemente resistente para soportar el peso del refrigerador completamente cargado.
- Tenga en cuenta la disponibilidad del suministro de agua para los modelos equipados con un fabricante automático de hielo.

## INSTALACIÓN

### **PRECAUCIÓN**

No instale el refrigerador en lugares donde la temperatura pueda ser inferior a 55 °F (13 °C) o superior a 110 °F (43 °C). El compresor no podrá mantener las temperaturas adecuadas dentro del refrigerador.

No bloquee la rejilla inferior en la parte delantera de la base del refrigerador. Se necesita una circulación adecuada del aire para garantizar un funcionamiento adecuado del refrigerador.

### IMPORTANTE

Si instala el refrigerador en un garaje o alguna otra área sin calefacción, puede experimentar problemas con la temperatura del congelador durante los meses de invierno cuando la temperatura descienda por debajo de los 55 °F (13 °C).

Si actualiza su refrigerador con un Kit de garaje se reducirá la temperatura mínima de funcionamiento de su unidad a 34 °F (1 °C). Este kit puede solicitarse a través de la *línea Electrolux de atención al cliente* (vea la contraportada).

### Espacios libres para la instalación

- Deje los siguientes espacios para facilitar la instalación, para asegurar una circulación adecuada del aire y para realizar las conexiones eléctricas y de agua:

Costados y parte superior	3/8"
Parte trasera	1"

### NOTA

Si su refrigerador tiene una tubería o un serpentín negro en la parte trasera (condensador enfriado con aire), deje 3" (unos 8 cm) de espacio libre en la parte superior del refrigerador.

## APERTURA DE LA PUERTA

Su refrigerador debe instalarse de manera que permita el acceso a un mostrador cuando retire alimentos del mismo. Para hacer esto posible, se puede invertir la dirección en la que se abren las puertas. Vea la sección de *instrucciones de desinstalación e inversión de la puerta*.

### NOTA

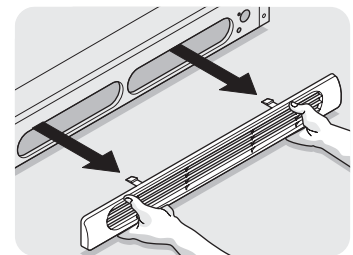
Si instala su refrigerador con las bisagras contra una pared, es posible que deba dejar un mayor espacio libre para poder abrir la puerta completamente.

## NIVELACIÓN

Las cuatro esquinas del refrigerador deben descansar firmemente sobre un piso resistente. Su refrigerador viene equipado con ruedas delanteras ajustables o tornillos niveladores delanteros para ayudarlo a nivelar el producto.

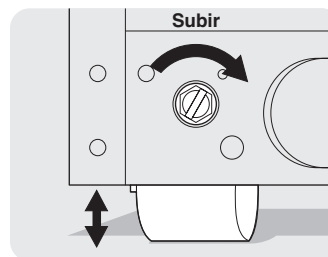
### Para nivelar el refrigerador:

1. Retire la rejilla inferior.
2. Use un destornillador plano o una llave de cubo de 3/8" para ajustar las ruedas delanteras. Use una llave ajustable para ajustar los tornillos niveladores.

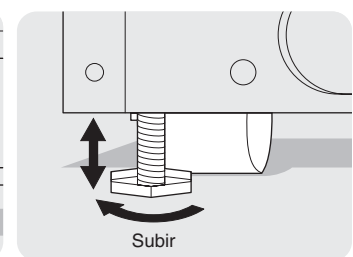


### NOTA

Eleve la parte delantera del refrigerador lo suficiente como para que las puertas se cierren automáticamente cuando sean abiertas hasta la mitad. El refrigerador debe tener una inclinación de 1/4" a 1/2" (de medio centímetro a un centímetro y medio, aproximadamente) desde el frente hacia atrás. Luego nivele el refrigerador de lado a lado.



Rueda ajustable delantera (algunos modelos)



Rueda fija delantera con tornillo de nivelación (algunos modelos)



## CONECTAR EL SUMINISTRO DE AGUA AL REFRIGERADOR

### **ADVERTENCIA**

Para evitar choques eléctricos, los cuales pueden causar la muerte o lesiones personales graves, desconecte el refrigerador del suministro eléctrico antes de conectar una tubería de suministro de agua al refrigerador.

### **PRECAUCIÓN**

A fin de evitar daños a la propiedad:

- Se recomienda el uso de tuberías de cobre para el suministro de agua. No se recomienda el uso de tuberías de plástico de 1/4", ya que aumenta considerablemente las probabilidades de escapes de agua. El fabricante no se hace responsable de cualquier daño que ocurra si se usa tubería de plástico para el suministro de agua.
- NO instale las tuberías de agua en áreas donde la temperatura caiga por debajo del grado de congelación (32 °F o 0 °C).
- Las sustancias químicas de un suavizador de agua no adecuado pueden dañar el fabricante de hielo. Si el fabricante de hielo se conecta a un suavizador de agua, asegúrese de que se mantiene y funciona adecuadamente.

### **IMPORTANTE**

Asegúrese de que las conexiones de la tubería de suministro de agua cumplan con todas las normas locales de plomería.

### **Antes de instalar la tubería de suministro de agua, necesitará lo siguiente:**

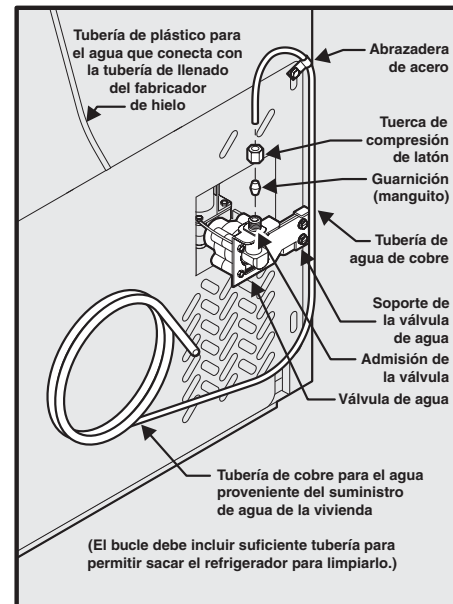
- **Herramientas básicas:** una llave ajustable, un destornillador plano, y un destornillador Phillips<sup>MR</sup> (en cruz).
- Acceso a una tubería de suministro de agua fría de la vivienda, que tenga una presión de agua entre 30 a 100 psi.
- Una tubería de cobre de suministro de agua de 1/4" (6,4 mm) de diámetro externo. Para determinar la longitud de la tubería de cobre necesaria, deberá medir la distancia desde la válvula de admisión del fabricante de hielo situada en la parte trasera del refrigerador a la tubería de agua fría. A continuación, incluya aproximadamente 7 pies (2,1 metros) de más, a fin de poder desplazar el refrigerador para limpiarlo (como se muestra).
- Una válvula de cierre para conectar la tubería de suministro de agua al sistema de suministro de agua de la vivienda. **NO** use una válvula de cierre autopercutor.
- Una tuerca de compresión y una guarnición (manguito) para conectar la tubería de suministro de agua a la válvula de entrada del fabricante.

### **NOTA**

El kit de tubería de agua número 5303917950, disponible a través de su distribuidor de electrodomésticos por un costo adicional, contiene 25 pies (7,6 m) de tubería de cobre de diámetro externo de 1/4" (6,35 mm), una válvula de asiento de cierre manual (no perforante), (2) tuercas de compresión de latón de 1/4", (2) guarniciones/manguitos y las instrucciones necesarias para instalar la tubería de suministro de agua.

### **Para conectar la tubería de suministro de agua con la válvula de admisión del fabricante de hielo**

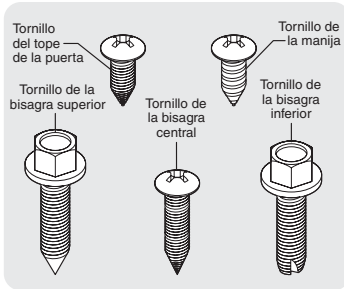
1. Desconecte el refrigerador del suministro eléctrico.
2. Coloque el extremo de la tubería de suministro de agua en un fregadero o un cubo. ABRA el suministro de agua y déjela correr hasta que salga agua limpia. CIERRE el suministro de agua con la válvula de cierre.
3. Desatornille la tapa de plástico de la entrada de la válvula de agua y deje a un lado la tapa.
4. Deslice la tuerca de compresión de latón y la guarnición (manguito) en la tubería de suministro de agua, como se muestra.
5. Inserte la tubería de agua en la entrada de la válvula de agua tan adentro como sea posible (1/4" [unos 6 mm]). Deslice la guarnición (el manguito) en la entrada de la válvula y apriete con la mano la tuerca de compresión en la válvula. Vuelva a apretar media vuelta con una llave. **NO** apriete demasiado.
6. Con una abrazadera de acero y un tornillo, fije la tubería de suministro de agua al panel trasero del refrigerador como se muestra.
7. Enrolle en forma de bucle (aproximadamente 2 1/2 vueltas) la tubería de suministro de agua detrás del refrigerador, como se muestra, colocándola de forma que no cause ninguna vibración o desgaste de las superficies cercanas.
8. ABRA la válvula de suministro de agua y apriete cualquier conexión que cause escapes de agua.
9. Vuelva a conectar el refrigerador al suministro eléctrico.
10. Para encender el fabricante de hielo, baje el brazo de alambre (vea las posiciones de ENCENDIDO/APAGADO en la cubierta delantera del fabricante de hielo).



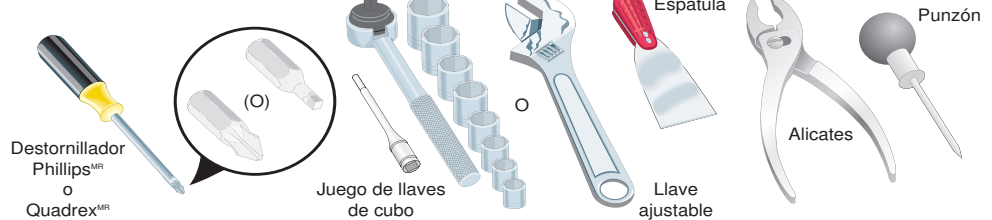




## INSTRUCCIONES DE DESINSTALACIÓN/INVERSIÓN DE LA PUERTA



### Herramientas necesarias:



### INSTRUCCIONES DE DESINSTALACIÓN E INVERSIÓN DE LA PUERTA:

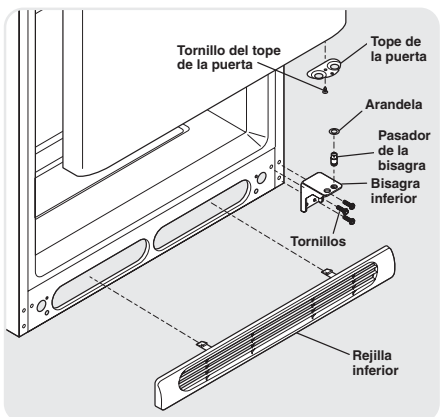
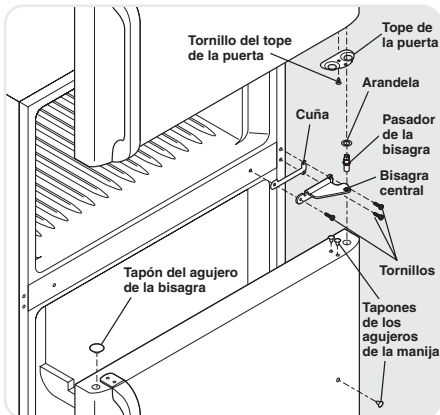
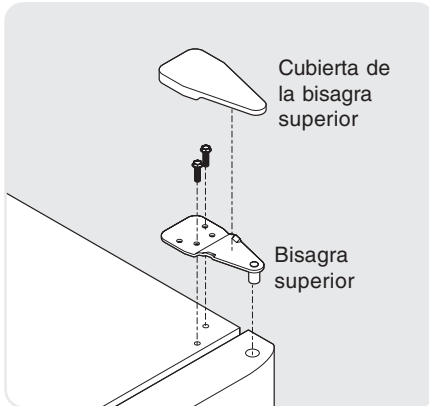
#### NOTA

Si tiene puertas de acero inoxidable, consulte la sección *Cómo retirar las puertas y manijas de acero inoxidable* en la página 8.

La dirección en la que se abre la puerta del refrigerador (giro de la puerta) puede ser invertida de izquierda a derecha o de derecha a izquierda cambiando las bisagras de la puerta de un lado al otro. La inversión de la dirección de apertura de la puerta debe ser realizada por una persona calificada.

#### IMPORTANTE

Antes de comenzar, gire el control de temperatura del refrigerador a la posición "0" y desenchufe el cordón eléctrico del tomacorriente. Retire los alimentos de los compartimientos de la puerta.



1. Retire la rejilla inferior.
2. Retire la cubierta de la bisagra superior. Marque alrededor de la bisagra con un lápiz de punta suave. Esto facilita la reinstalación. Retire la bisagra superior y levante la puerta del pasador de la bisagra central. Coloque la puerta a un lado.
3. Desatornille el pasador de la bisagra central usando una llave ajustable y consérvelo para la reinstalación. Asegúrese de que la arandela de plástico permanezca en el pasador de la bisagra.
4. Levante la puerta para sacarla de la bisagra inferior y déjela a un lado.
5. Retire la bisagra central y la cuña quitando el tornillo interior y aflojando los dos tornillos externos lo suficiente para permitir que la bisagra y la cuña se deslicen para sacarlas. Apriete los tornillos.
6. Afloje los dos tornillos externos en el lado opuesto del refrigerador, retire el tornillo interior e instale la bisagra central.
7. Retire los dos tornillos de la bisagra inferior con una llave de cubo de 3/8".
8. Instale la bisagra inferior en el lado opuesto con los dos tornillos que se quitaron en el paso 7.
9. Desatornille el pasador de la bisagra inferior usando la llave ajustable. Cambie el pasador de la bisagra al otro agujero de la bisagra y apriete usando la llave ajustable.
10. Invierta las manijas de las puertas (vea las instrucciones en la próxima página).
11. Mueva los topes de la puerta del congelador y del refrigerador al lado opuesto. Antes de comenzar a atornillar, use un punzón para perforar la espuma.
12. Coloque la puerta del refrigerador sobre el pasador de la bisagra inferior y atornille el pasador a través de la bisagra central en la parte superior de la puerta. Cierre la puerta del refrigerador para ayudar a alinear el agujero de la bisagra.
13. Apriete el pasador central con una llave ajustable.
14. Retire los tapones de los agujeros de la bisagra y el gabinete y muévalos al lado opuesto.
15. Baje la puerta del congelador sobre el pasador central.
16. Cierre la puerta del congelador. Pídale a un asistente que levante el lado opuesto de la puerta mientras aprieta los tornillos para instalar la bisagra superior.
17. Vuelva a instalar la rejilla inferior.
18. Enchufe el cordón eléctrico y gire el control de temperatura del refrigerador a la posición central. Cambie los ajustes cuanto sea necesario.



## INSTRUCCIONES DE DESINSTALACIÓN/INVERSIÓN DE LA PUERTA

### NOTA

Algunos modelos tienen manijas “de bolsillo”, retraídas dentro de los laterales de la puerta. En estos modelos, sólo será necesario invertir las bisagras.

### PARA DESINSTALAR LA MANIJA DEL CONGELADOR:

(Puede resultar más fácil invertir las manijas con las puertas sacadas.)

1. Retire los dos tornillos que fijan la manija a la parte inferior de la puerta del congelador.
2. Retire la moldura corta deslizándola hacia arriba y hacia afuera del soporte de la manija.
3. Retire el tornillo que fija la parte superior de la manija a la puerta.
4. **Modelos con placa de identificación magnética:** Extraiga cuidadosamente la placa de identificación magnética de la puerta. Retire la placa de identificación de su marco, dé vuelta el marco e instálelo en los orificios donde estaba anteriormente la manija. Inserte la placa de identificación magnética dentro del marco.

#### Modelos con placa de identificación autoadhesiva:

Retire con cuidado la placa de identificación de la puerta y vuelva a colocarla sobre los agujeros donde estaba anteriormente la manija.

### PARA COLOCAR LA MANIJA DEL CONGELADOR:

1. Vuelva a colocar la manija en el lado opuesto, usando el mismo agujero que para la placa de identificación.
2. Fije la manija a la parte inferior de la puerta.
3. Deslice la moldura hacia abajo sobre el soporte de la manija.

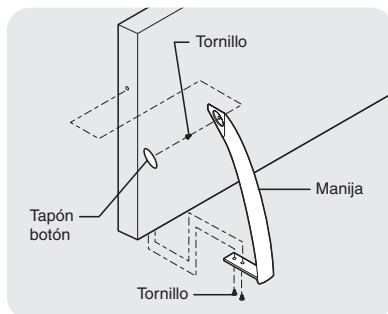
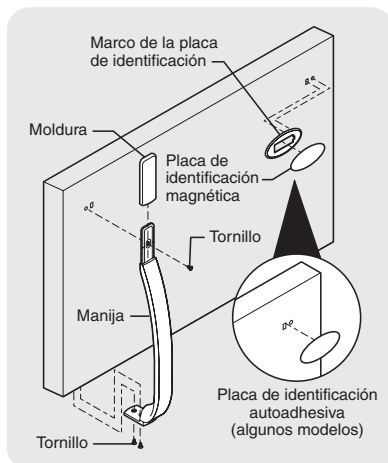
### PARA DESINSTALAR LA MANIJA DEL CONGELADOR:

(Puede resultar más fácil invertir las manijas con las puertas sacadas.)

1. Retire los dos tornillos que fijan la manija a la parte inferior de la puerta del congelador.
2. Retire el tapón botón usando el borde de la espátula.
3. Retire el tornillo del lado de la puerta del congelador y quite la manija.

### PARA COLOCAR LA MANIJA DEL CONGELADOR:

1. Fije el lateral de la manija a la puerta y vuelva a colocar el tapón botón.
2. Fije la manija a la parte inferior de la puerta.



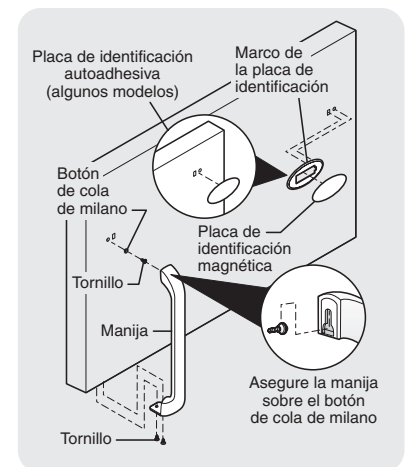
### PARA DESINSTALAR LA MANIJA DEL CONGELADOR:

(Puede resultar más fácil invertir las manijas con las puertas sacadas.)

1. Retire los dos tornillos que fijan la manija a la parte inferior de la puerta del congelador.
  2. Tire de la parte inferior de la manija a fin de separarla de la puerta y deslice la manija hacia arriba, sacándola del botón de cola de milano.
  3. Retire el tornillo y el botón de cola de milano e instálelos en el otro lado, usando los mismos agujeros que para la placa de identificación.
  4. **Modelos con placa de identificación magnética:** Use una espátula para extraer cuidadosamente la placa de identificación magnética de la puerta. Retire la placa de identificación del marco, dé vuelta el marco e instálelo en los orificios donde estaba anteriormente la manija. Inserte la placa de identificación magnética dentro del marco.
- Modelos con placa de identificación autoadhesiva:** Use una espátula para quitar cuidadosamente la placa de identificación de la puerta y vuelva a colocarla sobre los agujeros donde estaba anteriormente la manija.

### PARA COLOCAR LA MANIJA DEL CONGELADOR:

1. Comience con la manija separada de la puerta. Coloque la parte superior de la manija sobre el botón de cola de milano, gire la manija a la posición vertical y tire hacia abajo, hasta que quede fija en su lugar.
2. Fije la parte inferior de la manija con los dos tornillos que se quitaron antes.



### REMOCIÓN DE LA MOLDURA (SÓLO EN LOS MODELOS CON MOLDURA DE LARGO COMPLETO)

En algunos modelos, la puerta del refrigerador tiene una moldura de largo completo que continúa desde la parte inferior de la manija hasta la parte inferior de la puerta. La parte superior de la moldura se fija al soporte de la manija (Figura 1) o encaja alrededor de la base de la manija (Figura 2). Un “seguro de moldura” adhesivo se coloca aproximadamente en la mitad. La parte inferior de la moldura se coloca con un seguro adhesivo o con un seguro que consta de dos clavijas que se insertan en un agujero en el frente de la puerta.

### PARA RETIRAR LA MOLDURA:

1. Retire la moldura tirando suavemente, hacia afuera, de las partes de la moldura que están aseguradas, para separarla de la puerta.
2. Una vez que haya separado la moldura de la puerta, deslice la moldura hacia abajo para apartarla de la base de la manija.

### NOTA

Para los modelos que tienen una moldura corta en la manija, quítela deslizando la moldura hacia abajo para separarla del soporte de la manija.

### NOTA

Para retirar la manija del congelador, consulte la figura 3 de la página 9.



## INSTRUCCIONES DE DESINSTALACIÓN/INVERSIÓN DE LA PUERTA

### PARA RETIRAR LA MANIJA DEL REFRIGERADOR:

(Puede resultar más fácil invertir las manijas con las puertas sacadas.)

#### Figura 1 Manijas de estilo

1. Retire los dos tornillos que fijan la manija a la parte superior de la puerta del refrigerador.
2. Retire el tornillo que fija la parte inferior de la manija a la puerta.
3. Retire los dos tapones de los agujeros y el tapón del pasador de la bisagra de la parte superior de la puerta e instálelos en el lado opuesto. Use un destornillador Phillips para desatornillar los tapones de plástico del frente de la puerta e instálelos en el lado opuesto.

#### Figura 2 Manijas de estilo

1. Retire los dos tornillos que fijan la manija a la parte superior de la puerta del refrigerador.
2. Tire de la parte superior de la manija a fin de separarla de la puerta y deslice la manija hacia abajo para sacarla del botón de cola de milano.
3. Retire el tornillo y el botón de cola de milano e instálelos en el otro lado, cambiando los tapones de los agujeros correspondientes al lado opuesto.

### PARA COLOCAR LA MANIJA DEL REFRIGERADOR:

#### Figura 1 Manijas de estilo

1. Fije la parte inferior de la manija con los tornillos.
2. Fije la parte superior de la manija con los tornillos.

#### Figura 2 Manijas de estilo

1. Comience con la manija separada de la puerta. Coloque la parte inferior de la manija sobre el botón de cola de milano, gire la manija a la posición vertical y tire hacia arriba, hasta que quede fija en su lugar.
2. Fije la parte superior de la manija con los tornillos.

### PARA DESINSTALAR LA MANIJA DEL REFRIGERADOR:

(Puede resultar más fácil invertir las manijas con las puertas sacadas.)

1. Quite los dos tornillos que fijan la manija a la parte superior de la puerta del refrigerador.
2. Retire el tapón botón usando el borde de la espátula.
3. Retire el tornillo del lado de la puerta del refrigerador y quite la manija.
4. Invierta las manijas del congelador y del refrigerador como se muestra en la figura 3.

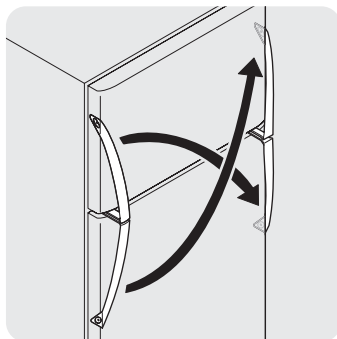
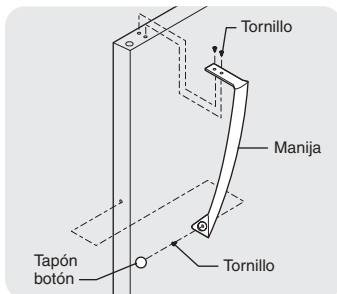


Figura 3 - Invertir las manijas

### PARA COLOCAR LA MANIJA DEL REFRIGERADOR:

1. Fije el lateral de la manija a la puerta y vuelva a colocar el tapón inferior.
2. Fije la manija a la parte superior de la puerta.



Puerta de refrigerador sin moldura

### PARA FIJAR LA MOLDURA:

1. Deslice los dos seguros de la moldura fuera de la moldura.
2. Inserte los nuevos seguros de moldura adhesivos que se incluyen en el paquete informativo.

### NOTA

El seguro de moldura se debe quitar e instalar deslizándolo sobre las dos áreas con forma de rosca.

3. Instale la moldura en la manija deslizándola bajo la base de la manija. Alinee la moldura cuidadosamente y presione hacia abajo en los lugares donde están los seguros de moldura.
4. Elimine con alcohol rectificado cualquier residuo de adhesivo de las zonas donde estaban los seguros de moldura viejos.

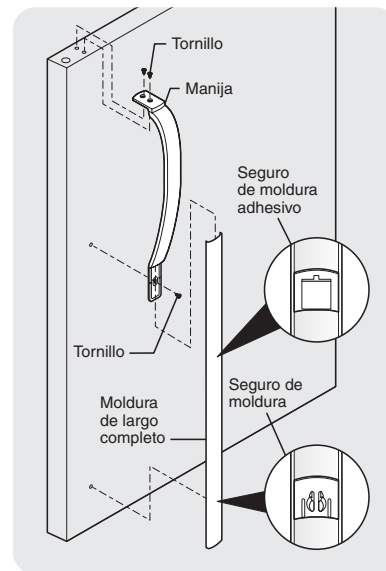


Figura 1

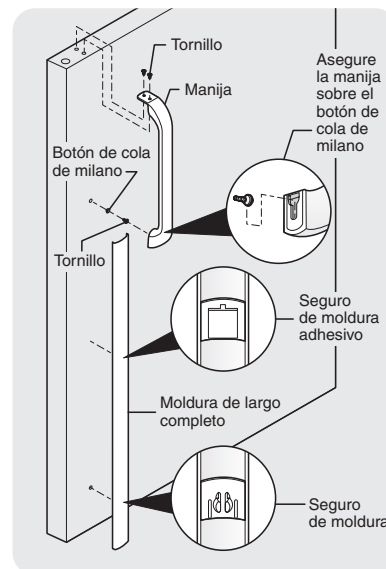


Figura 2



## INSTRUCCIONES DE DESINSTALACIÓN/INVERSIÓN DE LA PUERTA

### CÓMO RETIRAR LAS PUERTAS Y MANIJAS DE ACERO INOXIDABLE

#### PRECAUCIÓN

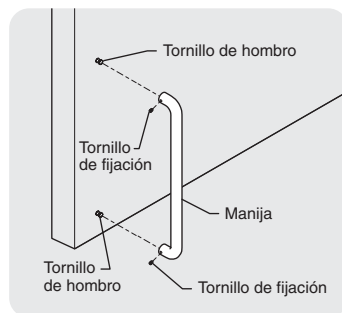
Tenga cuidado cuando use herramientas cerca de la superficie de las puertas de acero inoxidable, para evitar rayarlas.

#### Para retirar las puertas

Las puertas de acero inoxidable no son reversibles. Siga estos pasos para retirar las puertas.

1. Retire la rejilla inferior y la tapa de la bisagra superior.
2. Retire la bisagra superior y levante la puerta del congelador fuera del pasador de la bisagra central. Coloque la puerta a un lado.
3. Desatornille el pasador de la bisagra central usando una llave ajustable y consérvelo para la reinstalación. Asegúrese de que la arandela de plástico permanezca en el pasador de la bisagra.
4. Levante la puerta para sacarla de la bisagra inferior y déjela a un lado.

5. Retire la bisagra central y la cuña quitando el tornillo interior y aflojando los dos tornillos externos lo suficiente para permitir que la bisagra se deslice para sacarla.
6. Retire la bisagra inferior. Vuelva a insertar los dos tornillos externos en los agujeros y apriételes.
7. Invierta los pasos del 1 al 6 para volver a instalar las puertas.



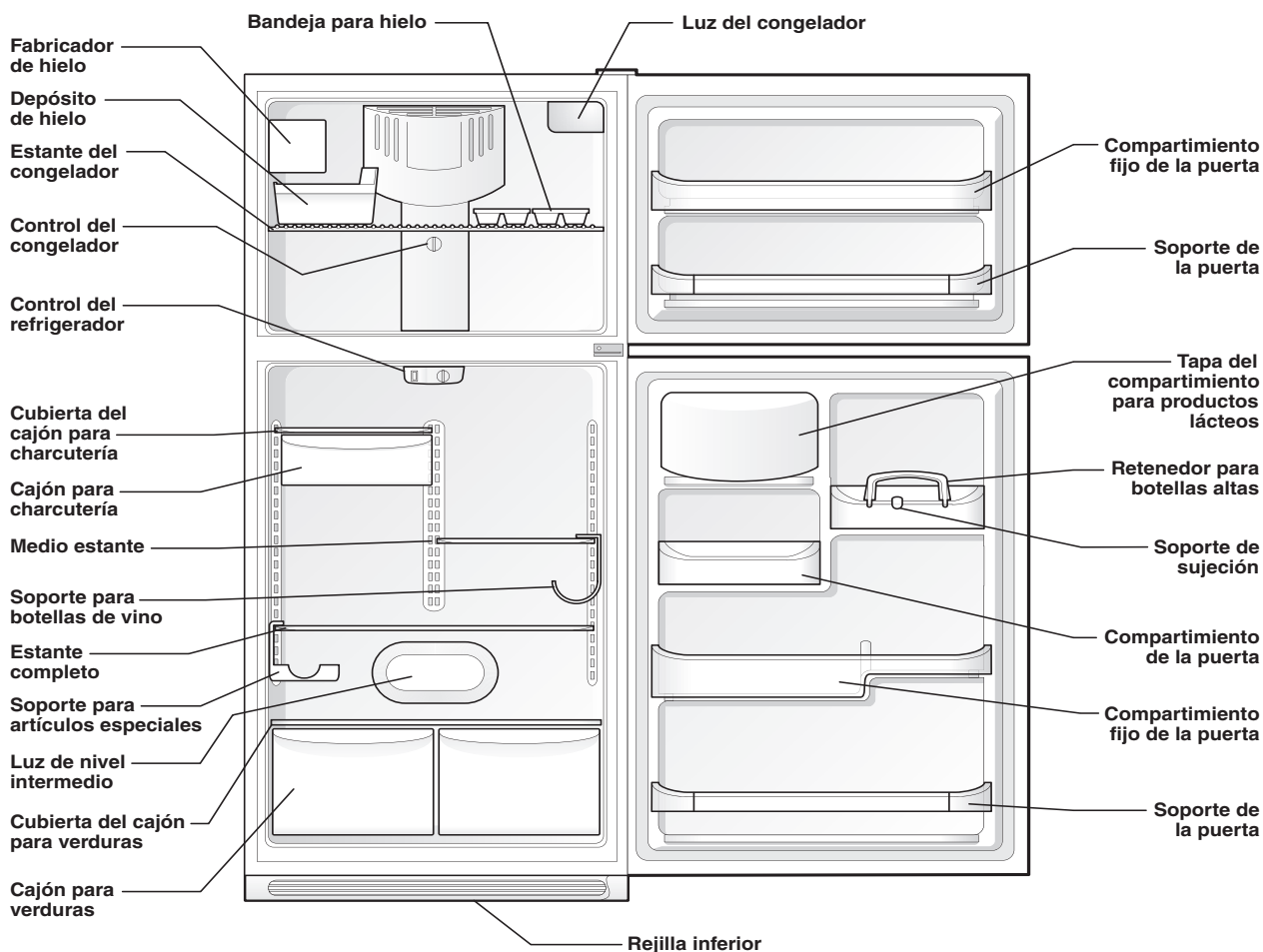
Manija típica

#### Para retirar las manijas

1. Sostenga firmemente la manija del congelador mientras afloja los tornillos de fijación con una llave Allen de 3/32". Retire la manija del congelador.
2. Repita el paso 1 para la puerta del refrigerador.



## VISTA GENERAL



Las características pueden variar según el modelo



## CONTROLES DE TEMPERATURA

### PERÍODO DE ENFRIAMIENTO

Para asegurar el almacenamiento seguro de los alimentos, permita que el refrigerador funcione con las puertas cerradas por lo menos durante 8 a 12 horas antes de guardar los alimentos en su interior.

### CONTROLES DEL REFRIGERADOR Y CONGELADOR

#### NOTA

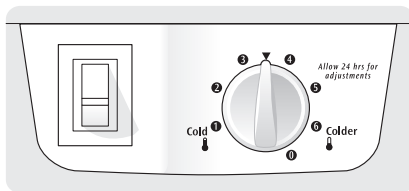
Cuando cambie los controles de temperatura, espere 24 horas para que la temperatura se estabilice antes de hacer cambios adicionales.

#### NOTA

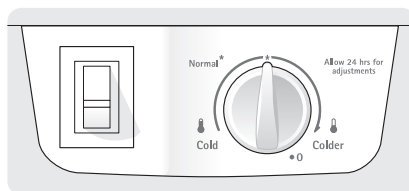
Cuando encienda por primera vez el refrigerador, gire ambos controles a la posición **Normal**. Este es el ajuste inicial recomendado. Después de 24 horas, ajuste los controles según sea necesario.



Control del congelador (algunos modelos)



O



Control del refrigerador (algunos modelos)

### AJUSTE DE LA TEMPERATURA

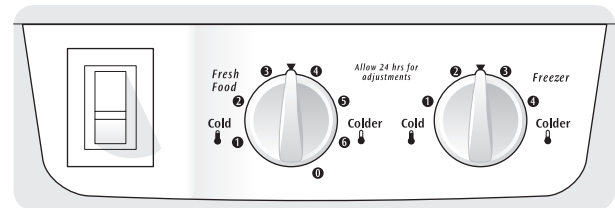
- **Ajuste la temperatura gradualmente: mueva la perilla en incrementos pequeños y espere hasta que la temperatura se estabilice.**
- Para temperaturas más frías, gire la perilla hacia la posición **“Colder” (más frío)**.
- Para temperaturas más tibias, gire la perilla hacia la posición **“Cold” (frío)**.

Cuando gire la perilla, cambiará la temperatura tanto del refrigerador como del congelador. Por ejemplo, si gira el control del refrigerador a un ajuste más frío, es posible que deba ajustar el control del congelador a un ajuste más tibio. Si gira el control del congelador, sólo cambiará la temperatura del congelador.

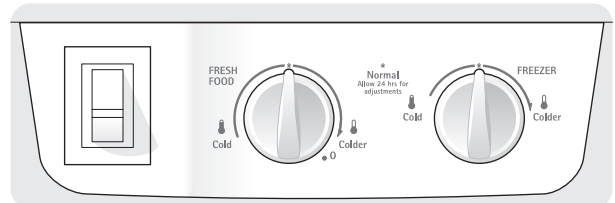
Para mantener las temperaturas, un ventilador hace circular el aire en el refrigerador y congelador. Para mantener una buena circulación del aire, no bloquee los respiraderos de ventilación con alimentos.

#### \* IMPORTANTE

Si gira el control del refrigerador a la posición **“0”**, se apagará el compresor y el refrigerador no enfriará, pero no desconectará la corriente a la luz interior y a otros componentes eléctricos. Para apagar el refrigerador, debe desenchufar el cordón eléctrico del tomacorriente.



O



Control del refrigerador y del congelador (algunos modelos)

### GUÍA DE AJUSTE DE LA TEMPERATURA

<b>Si el compartimiento del refrigerador está demasiado tibio</b>	Gire el control del refrigerador levemente hacia <b>“Colder” (más frío)</b> .
<b>Si el compartimiento del refrigerador está demasiado frío</b>	Gire el control del refrigerador levemente hacia <b>“Cold” (frío)</b> .
<b>Si el congelador está demasiado tibio</b>	Gire el control del congelador levemente hacia <b>“Colder” (más frío)</b> .
<b>Si el congelador está demasiado frío</b>	Gire el control del congelador levemente hacia <b>“Cold” (frío)</b> .
<b>* Para apagar el refrigerador</b>	Gire el control del refrigerador a la posición <b>“0”</b> .



## VISTA INTERIOR

### **⚠ PRECAUCIÓN**

Para evitar lesiones personales o daños a la propiedad, manipule las bandejas de vidrio templado con cuidado. Las bandejas se pueden romper repentinamente si se golpean, se rayan o se exponen a cambios repentinos de temperatura.

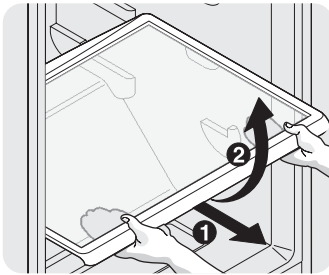
### AJUSTE DE LAS BANDEJAS

Las bandejas del refrigerador se ajustan fácilmente a sus necesidades individuales. Antes de ajustar las bandejas, retire todos los alimentos colocados sobre éstas.

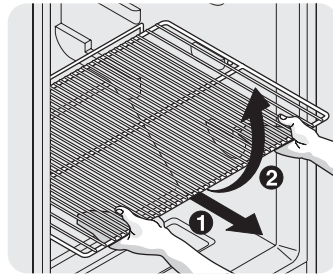
#### Para ajustar las bandejas deslizantes:

- 1 Retire la bandeja tirando de ella hacia adelante hasta el tope.
- 2 Levante el borde delantero hacia arriba y tire de la bandeja para sacarla.

Vuelva a instalar la bandeja sobre cualquier par de rieles invirtiendo este procedimiento.



Bandeja deslizante de vidrio



Bandeja deslizante de alambre

#### Para ajustar las bandejas voladizas:

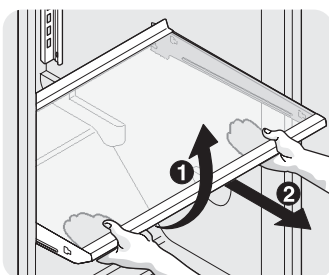
### NOTA

Las bandejas voladizas se sostienen de la parte trasera del refrigerador. Las bandejas voladizas están disponibles en vidrio o en alambre.

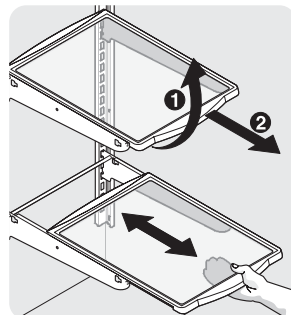
- 1 Levante el borde delantero.
- 2 Tire de la bandeja hacia afuera.

Vuelva a instalar la bandeja insertando los ganchos ubicados en la parte trasera de la bandeja en el soporte de la pared. Baje la bandeja en las ranuras deseadas y bloquéela en la posición correcta.

Las bandejas de vidrio antiderrame \* *SpillSafe<sup>MR</sup>* (algunos modelos) atrapan y retienen los derrames accidentales. En algunos modelos, las bandejas antiderrame \* *SpillSafe<sup>MR</sup>* se deslizan hacia afuera para facilitar la limpieza y el acceso a los alimentos. Las bandejas se deslizan hacia afuera independientemente de los soportes voladizos. Simplemente tire de la bandeja hacia adelante. La bandeja puede extenderse hasta donde el tope lo permita, pero **no** se puede retirar del soporte voladizo.



Bandeja voladiza de ancho completo  
Bandeja de vidrio



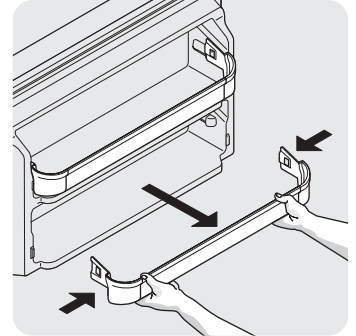
Bandeja de vidrio voladiza  
Fija y deslizante

### ALMACENAMIENTO EN LA PUERTA

Este refrigerador incluye compartimientos, bandejas y soportes en la puerta para facilitar el almacenamiento de jarras, botellas y latas. Permiten que los artículos de uso frecuente se ubiquen rápidamente.

Algunos modelos tienen soportes o compartimientos en la puerta que pueden servir para guardar bebidas en envases de plástico grandes, así como jarras y envases de tamaño económico. Algunos soportes son ajustables para proporcionar una capacidad de almacenamiento máxima.

El compartimiento de productos lácteos, el cual es un poco menos frío que la sección general de alimentos, tiene como fin almacenar queso, alimentos para untar o mantequilla.



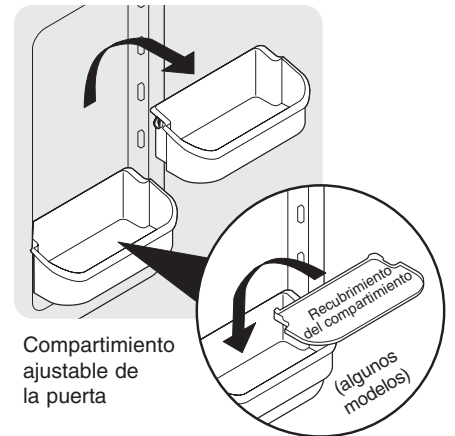
Soporte de la puerta

### COMPARTIMIENTOS AJUSTABLES DE LA PUERTA

Algunos modelos tienen compartimientos ajustables en la puerta, los cuales pueden ser desplazados en caso necesario.

#### Para desplazar los compartimientos de la puerta:

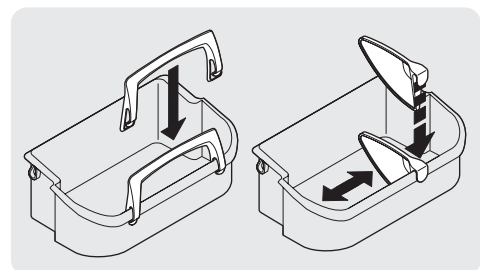
1. Levante el compartimiento.
2. Retire el compartimiento.
3. Coloque el compartimiento en la posición que prefiera.
4. Baje el compartimiento colocándolo sobre los soportes de modo que quede bloqueado en su lugar.



Compartimiento ajustable de la puerta

### RETENEDOR DE BOTELLAS ALTAS (ALGUNOS MODELOS)

El retenedor de botellas altas evita que los envases altos se caigan del compartimiento cuando se abra o se cierre la puerta del refrigerador. Para instalarlo, sosténgalo por la parte superior y deslícelo sobre la pared exterior del compartimiento, como se muestra en la figura. El retenedor de botellas altas funciona mejor con un soporte "de sujeción" (Bin Snugger).

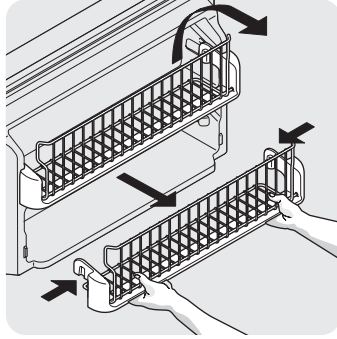


Soporte de botellas altas (izquierda)  
y soporte "Bin Snugger" (derecha)



## VISTA INTERIOR (CONTINUACIÓN)

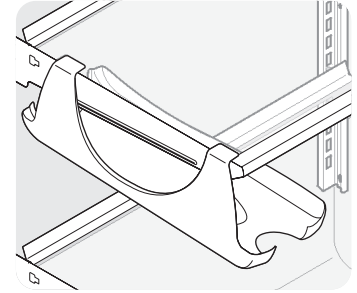
### PARRILLA INCLINABLE DE LA PUERTA DEL CONGELADOR



Parrilla inclinable de la puerta del congelador

### SOPORTE PARA ARTÍCULOS ESPECIALES (ALGUNOS MODELOS)

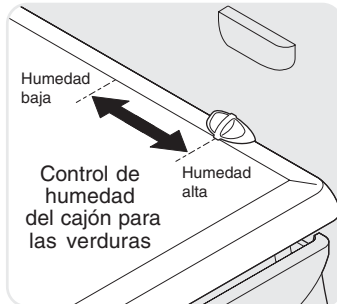
El diseño innovador del soporte para artículos especiales le permite guardar un paquete de seis latas de bebidas de 12 onzas (355 ml), una botella de vino, una botella de bebida gaseosa de dos litros o un cartón de huevos. El soporte para artículos especiales se instala en el lado izquierdo del refrigerador. Para instalarlo, deslícelo sobre cualquier bandeja, como se muestra en el dibujo.



Soporte para artículos especiales

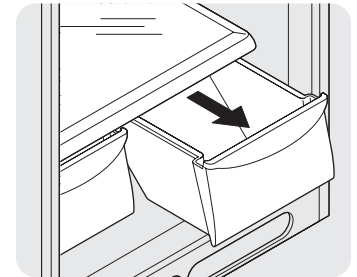
### CONTROL DE HUMEDAD (ALGUNOS MODELOS)

El control de humedad, incluido en algunos modelos con cajones para verduras, permite ajustar el nivel de humedad dentro del cajón. Esto prolonga la duración de las verduras frescas que se mantienen mejor con humedad alta.



### CAJONES PARA VERDURAS (ALGUNOS MODELOS)

Los cajones para las verduras, ubicados debajo de la bandeja inferior del refrigerador, están diseñados para almacenar frutas, verduras y otros alimentos frescos. Lave los artículos en agua limpia y elimine el exceso de agua antes de colocarlos en los cajones para las verduras. Los artículos con olores fuertes o alto contenido de humedad deben ser envueltos antes de almacenarlos en el refrigerador.



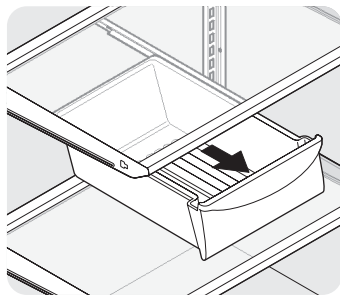
Cajón para las verduras

### NOTA

Las verduras con hojas se mantienen mejor cuando son guardadas con el control de humedad en el ajuste "High Humidity" (humedad alta) o en un cajón sin control de humedad. Esto mantiene a un mínimo el aire que entra y mantiene un máximo contenido de humedad.

### CAJÓN PARA CHARCUTERÍA (ALGUNOS MODELOS)

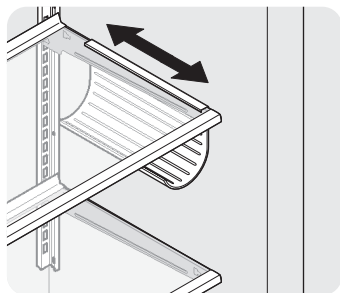
Algunos modelos vienen equipados con un cajón para charcutería donde se pueden almacenar fiambres, productos para untar, queso y otros artículos de charcutería.



Cajón para charcutería

### SOPORTE PARA BOTELLAS DE VINO (ALGUNOS MODELOS)

El soporte para botellas de vino sirve para almacenar botellas de vino o botellas plásticas de jugo o refresco de dos litros. Para instalarlo, deslícelo sobre la bandeja con el costado curvo de cara al interior. Para retirarlo, deslícelo hacia afuera. Instálelo en cualquier costado de la bandeja.



Soporte para botellas de vino



## SUGERENCIAS PARA EL ALMACENAMIENTO DE ALIMENTOS Y EL AHORRO DE ENERGÍA

### SUGERENCIAS PARA EL ALMACENAMIENTO DE ALIMENTOS

#### Almacenamiento de alimentos frescos

- La temperatura del refrigerador debe mantenerse entre 34°F y 40°F (1°C y 4,5°C), siendo la temperatura óptima 37°F (2,8°C).
- Evite llenar demasiado los compartimientos del refrigerador. Esto reduce la circulación del aire alrededor de los alimentos, lo cual impide que se enfríen adecuadamente.

#### Frutas y verduras

- Los cajones para verduras absorben la humedad, con el fin de ayudar a mantener la calidad de las frutas y verduras durante períodos más largos.

#### Carne

- Las carnes crudas de res y ave deben envolverse de forma segura para que no haya escapes ni contaminación de otros alimentos o superficies.

#### Almacenamiento de alimentos congelados

- El congelador debe mantenerse a una temperatura de 0°F (-18°C) o menos.
- Un congelador funciona más eficientemente cuando se utilizan al menos 2/3 de su capacidad.

#### Envoltura de los alimentos para su congelación

- Para reducir al mínimo la deshidratación de los alimentos y el deterioro de la calidad, use papel de aluminio, envoltura o bolsas para congelador o envases herméticos. Extraiga todo el aire que sea posible de los paquetes y séllelos herméticamente. El aire atrapado en el envase puede secar los alimentos o cambiar su color, o bien hacer que adopten un sabor extraño (quemadura de congelador).
- Envuelva las carnes crudas de res y de pollo con envoltura para congelador apropiada antes de congelarlas.
- No vuelva a congelar carne que se haya descongelado completamente.

#### Almacenamiento en el congelador

- Evite guardar demasiados alimentos tibios en el congelador al mismo tiempo. Esto sobrecarga el congelador, reduce la velocidad de congelación y puede aumentar la temperatura de los alimentos congelados.
- Deje un espacio entre los paquetes, de modo que el aire frío pueda circular libremente, permitiendo que los alimentos se congelen lo más rápido posible.
- Evite guardar alimentos difíciles de congelar, tales como helados y jugo de naranja, en los compartimientos de la puerta del congelador. Es mejor guardar estos alimentos en el interior del congelador, donde la temperatura varía menos.



### SUGERENCIAS PARA EL AHORRO DE ENERGÍA

- Ubique el refrigerador en la parte más fresca de la habitación, alejado de la luz directa del sol y de las tuberías o rejillas de la calefacción. No coloque el refrigerador cerca de electrodomésticos que produzcan calor tales como una estufa, un horno o un lavavajillas. Si esto no es posible,

una sección de mobiliario de cocina o una capa de aislamiento adicional entre los dos electrodomésticos contribuirá al mejor funcionamiento del refrigerador.

- Nivele el refrigerador de modo que las puertas cierren herméticamente.
- Consulte este Manual de uso y cuidado para obtener información sobre los ajustes recomendados de control de la temperatura.
- La limpieza periódica del condensador ayudará al mejor funcionamiento del refrigerador. Consulte la *Tabla de limpieza y cuidado*.
- No coloque demasiados alimentos en el refrigerador ni bloquee los respiraderos del aire frío. Si lo hace, el refrigerador funcionará por períodos más prolongados y usará más energía.
- Cubra los alimentos y seque los envases antes de colocarlos en el refrigerador. Esto reduce la acumulación de humedad en el interior del electrodoméstico.
- Organice el refrigerador a fin de evitar la apertura frecuente de la puerta. Saque tantos artículos como necesite de una sola vez y cierre la puerta tan pronto como sea posible.





## SERVICIO DE HIELO

Si su refrigerador tiene un fabricante automático de hielo, éste proporcionará un suministro de hielo suficiente para el uso normal. Tras la puesta en marcha inicial del refrigerador, no se producirá hielo durante las primeras 24 horas. El aire presente en las tuberías de agua puede hacer que el fabricante de hielo pase por dos o tres ciclos antes de fabricar una hielera completa. Si no se usa el hielo producido, el fabricante de hielo tardará aproximadamente de uno a dos días en llenar el depósito.

Las conexiones nuevas del suministro de agua pueden hacer que los primeros cubos de hielo que se fabriquen estén descoloridos o tengan un sabor extraño. Deseche el hielo producido durante las primeras 24 horas.

### NOTA

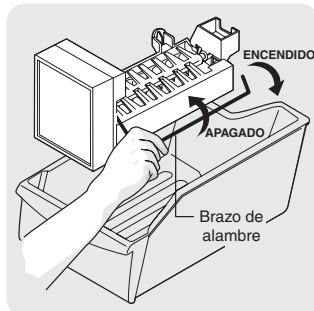
**NOTA:** Los fabricantes automáticos de hielo también son accesorios adicionales que pueden ser instalados en la mayoría de los modelos en cualquier momento. Llame a su distribuidor local para obtener mayor información.

### PARA ENCENDER EL FABRICADOR DE HIELO

Después de que se hayan realizado las conexiones de las tuberías de agua, se debe abrir la válvula de suministro de agua. Coloque el depósito de hielo debajo del fabricante de hielo lo más atrás posible. Baje el brazo de alambre a su posición inferior o de “ENCENDIDO” (ON).

### PARA APAGAR EL FABRICADOR DE HIELO

Para apagar el fabricante de hielo, levante el brazo de alambre hasta que se bloquee en la posición superior o “APAGADO” (OFF). El fabricante de hielo también se apaga automáticamente cuando se llena el depósito de hielo. Si su modelo cuenta con una bandeja ajustable para congelador, colóquela en la posición inferior de modo que el brazo de alambre haga contacto con el hielo una vez que el depósito esté lleno.



### IMPORTANTE

Su fabricante de hielo viene empacado de fábrica con el brazo de alambre en la posición “ENCENDIDO” (ON). Para garantizar el funcionamiento correcto del fabricante de hielo, conecte el suministro de agua inmediatamente o APAGUE el fabricante de hielo levantando el brazo de alambre hasta que se enganche en la posición SUPERIOR. **Si no apaga el fabricante de hielo y el suministro de agua no está conectado, la válvula del agua hará un ruido muy fuerte.**

### PRODUCCIÓN DE HIELO: FUNCIONAMIENTO NORMAL

El fabricante de hielo produce entre 2,5 y 3 libras (1,1 y 1,4 kg) de hielo cada 24 horas, dependiendo de las condiciones de uso. El hielo se produce a una velocidad de 8 cubos cada 80 a 160 minutos.

### PRECAUCIÓN

**Las sustancias químicas provenientes de un suavizador de agua defectuoso pueden dañar el fabricante de hielo. Si el fabricante de hielo está conectado a un suavizador de agua, asegúrese de que dicho suavizador reciba mantenimiento y que funcione correctamente.**

### SUGERENCIAS PARA EL USO DEL FABRICADOR DE HIELO

- Los cubos de hielo almacenados durante un tiempo prolongado pueden adoptar un sabor extraño. Vacíe el depósito de hielo y asegúrese de que el brazo de alambre esté en la posición inferior de “ENCENDIDO” (ON). A continuación, el fabricante de hielo producirá más hielo.
- Sacuda ocasionalmente el depósito del hielo para que los cubos de hielo se separen.
- Apague el fabricante de hielo cuando limpie el congelador y durante los períodos de vacaciones.
- Si el fabricante de hielo se va a mantener apagado durante un período prolongado, cierre también la válvula de suministro de agua.

### NOTA

Para obtener información sobre los ruidos del fabricante de hielo, consulte la sección de *Sonidos y señales normales de funcionamiento*.

- Lave el depósito de hielo en agua tibia con detergente suave. Enjuague bien y seque.
- Apague el fabricante de hielo cuando limpie el congelador y durante los períodos de vacaciones.
- Si el fabricante de hielo se va a mantener apagado durante un período prolongado, cierre también la válvula de suministro de agua.

### PRECAUCIÓN

**NO coloque el depósito de hielo en el lavavajillas.**



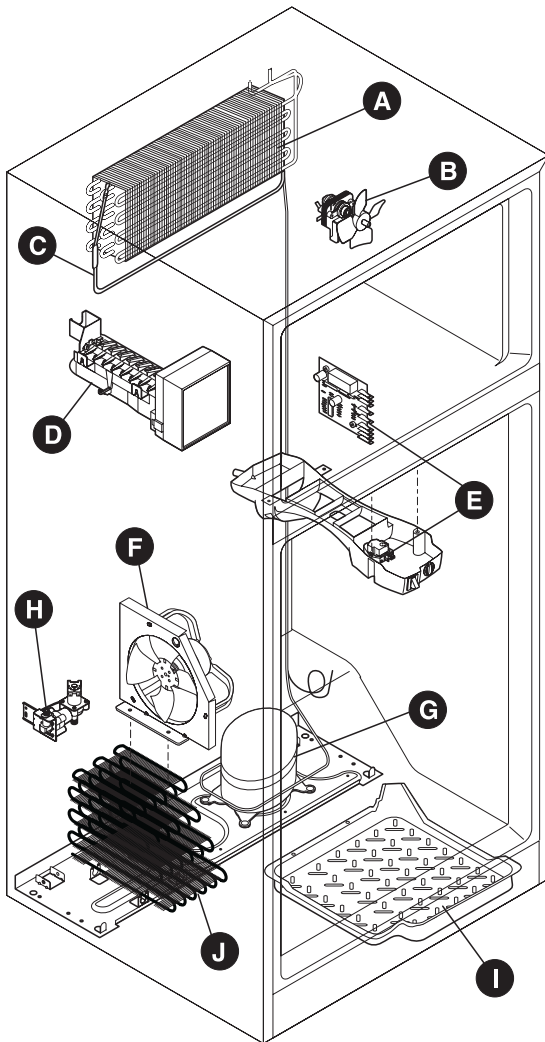
## SONIDOS Y SEÑALES NORMALES DE FUNCIONAMIENTO

### INTERPRETACIÓN DE SONIDOS QUE PUEDE HACER SU REFRIGERADOR

Su nuevo refrigerador de alta eficiencia puede emitir sonidos cuyo significado desconozca. Estos son sonidos normales a los que se acostumbrará muy pronto. Estos sonidos también indican que su refrigerador está funcionando normalmente. Las superficies duras, tales como los pisos de vinilo o madera, las paredes y los armarios de la cocina pueden amplificar los sonidos. A continuación se incluye una lista con los sonidos más comunes que escuchará y sus causas.

#### NOTA

El aislamiento de espuma rígida ahorra energía, pero no es un buen aislante de sonido.



#### A. *Evaporador*

El flujo del refrigerante a través del evaporador puede generar un sonido de hervor o gorgoteo.

#### B. *Ventilador del evaporador*

Es posible que escuche el aire mientras es forzado a través del refrigerador por el ventilador del evaporador.

#### C. *Calentador de descongelación*

Durante los ciclos de descongelación, el agua que gotea en el calentador de descongelación puede causar un sonido de chisporroteo o crepitación. Después de la descongelación puede producirse un ruido de golpe.

#### IMPORTANTE

Durante el ciclo automático de descongelación, podrá notar un brillo rojo en las rejillas de ventilación en la pared trasera del congelador. Esto es normal durante el ciclo de descongelación.

#### D. *Fabricador automático de hielo*

Si su modelo de refrigerador cuenta con un fabricante automático de hielo, escuchará los cubos cuando caen dentro del depósito de hielo.

#### E. *Control de frío y temporizador de descongelación o control automático de descongelación*

Estas piezas pueden producir un sonido seco o un chasquido cuando se enciende y se apaga el refrigerador. El temporizador también produce sonidos similares a los emitidos por un reloj eléctrico.

#### F. *Ventilador del condensador*

Si hay un serpentín del condensador ubicado debajo de su refrigerador como se muestra en el dibujo a la izquierda, su refrigerador tiene un ventilador del condensador. Usted podrá escuchar el aire que se fuerza a través del condensador por medio del ventilador del condensador.

#### G. *Compresor*

Los compresores modernos de alta eficiencia funcionan a mayor velocidad que los modelos anteriores. El compresor puede emitir un zumbido agudo o un sonido pulsante.

#### H. *Válvula de agua*

Si su modelo de refrigerador cuenta con un fabricante automático de hielo, escuchará un zumbido cuando la válvula de agua se abra para llenar el fabricante de hielo en cada ciclo.

#### I. *Bandeja de drenaje (no removible)*

Podrá escuchar el agua caer en la bandeja de drenaje durante el ciclo de descongelación. La bandeja de drenaje está ubicada sobre el compresor en los equipos con condensador enfriado por aire (serpentín negro en la parte trasera del refrigerador).

#### J. *Serpentín del condensador (modelos enfriados por ventilador solamente)*



## CUIDADO Y LIMPIEZA

Mantenga su refrigerador y congelador limpios para evitar la acumulación de olores. Limpie cualquier derrame inmediatamente y limpie el refrigerador y el congelador por lo menos dos veces al año. **Nunca** use ningún tipo de esponja de restregar, escobillas, limpiadores abrasivos o soluciones alcalinas fuertes en ninguna de las superficies. **No** lave ninguna pieza extraíble en el lavavajillas. **Siempre desenchufe el cordón eléctrico del tomacorriente antes de la limpieza.**

### PRECAUCIÓN

- Cuando mueva el refrigerador, tire de él hacia afuera en línea recta. No mueva el refrigerador de lado a lado ya que esto puede rayar o dañar la superficie del piso. Si el refrigerador tiene un fabricante automático de hielo, tenga cuidado de no mover el refrigerador más allá del alcance de las conexiones de plomería.
- Los objetos húmedos se adhieren a las superficies frías de metal. No toque las superficies refrigeradas con las manos mojadas o húmedas.
- Nunca use CLORO para limpiar acero inoxidable.

### NOTA

- Si gira el control de la temperatura del refrigerador a la posición "0", apagará el compresor, pero no desconectará el suministro de electricidad a la luz interior o a otros componentes eléctricos. Para apagar el refrigerador, debe desenchufar el cordón eléctrico del tomacorriente.
- No use hojas de afeitar ni ningún otro instrumento afilado que pueda rayar la superficie del electrodoméstico para despegar las etiquetas. Puede eliminar cualquier residuo de pegamento de las etiquetas o de la cinta adhesiva usando una mezcla de agua tibia y detergente suave o adhiriendo al pegamento el lado adhesivo de la cinta adhesiva recién despegada. **No retire la placa de serie.**

### Tabla de cuidado y limpieza

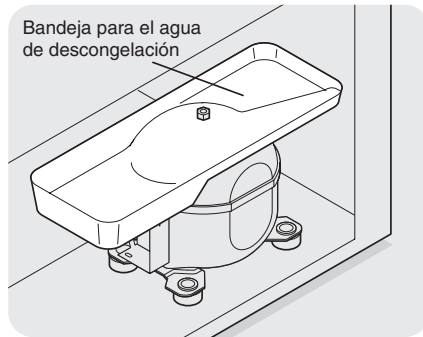
Pieza	Qué usar	Sugerencias y precauciones
Interior y revestimiento de la puerta	<ul style="list-style-type: none"> <li>• Agua y jabón</li> <li>• Bicarbonato de sodio y agua</li> </ul>	Use 2 cucharadas de bicarbonato de sodio en 1 litro de agua tibia. <b>Asegúrese de escurrir el excedente de agua de la esponja o del paño antes de limpiar los controles, la bombilla o cualquier otra pieza eléctrica.</b>
Juntas de la puerta	<ul style="list-style-type: none"> <li>• Agua y jabón</li> </ul>	Limpie las juntas con un paño limpio y suave.
Cajones y compartimientos	<ul style="list-style-type: none"> <li>• Agua y jabón</li> </ul>	No lave ningún componente extraíble (compartimientos, cajones, etc.) en el lavavajillas.
Bandejas de vidrio	<ul style="list-style-type: none"> <li>• Agua y jabón</li> <li>• Limpiavidrios</li> <li>• Rociadores de líquidos suaves</li> </ul>	Espere a que el vidrio se entibie a temperatura ambiente antes de sumergirlo en agua tibia.
Rejilla inferior	<ul style="list-style-type: none"> <li>• Agua y jabón</li> <li>• Rociadores de líquidos suaves</li> <li>• Accesorio de la aspiradora</li> </ul>	Aspire el polvo de la parte delantera de la rejilla inferior. Retire la rejilla inferior. Aspire la parte trasera y límpiela con una esponja o un paño con jabón. Enjuague y seque.
Exterior y manijas	<ul style="list-style-type: none"> <li>• Agua y jabón</li> </ul>	No use limpiadores comerciales domésticos, amoníaco ni alcohol para limpiar las manijas.
Exterior y manijas (sólo modelos de acero inoxidable)	<ul style="list-style-type: none"> <li>• Agua y jabón</li> <li>• Amoníaco</li> <li>• Limpiadores de acero inoxidable</li> </ul>	<b>PRECAUCIÓN: Nunca use CLORO para limpiar acero inoxidable.</b> Limpie la parte delantera y las manijas de acero inoxidable con un paño y agua jabonosa no abrasiva. Enjuague con agua limpia y un paño suave. Limpie las manchas difíciles con una toalla de papel con amoníaco y enjuague. Use un limpiador de acero inoxidable no abrasivo. Estos limpiadores pueden ser comprados en la mayoría de los grandes almacenes o de las tiendas de bricolaje. Siga siempre las instrucciones del fabricante. NOTA: Siempre limpie y seque a favor del grano para evitar rayas contra el grano. Lave el resto del aparato con agua tibia y detergente líquido suave. Enjuague bien y seque con un paño suave y limpio.
Serpentín del condensador (modelos enfriados por ventilador solamente)	<ul style="list-style-type: none"> <li>• Puede obtener un cepillo de limpieza especial de su distribuidor.</li> <li>• Aspiradora</li> </ul>	No es necesario limpiar el serpentín a menos que se utilice el refrigerador en ambientes con mucho polvo o grasa o si hay mucho movimiento de mascotas en su hogar. Si es necesario limpiar el serpentín, retire la rejilla inferior y use un accesorio de extensión de la aspiradora y el cepillo de limpieza especial para remover la acumulación de polvo del serpentín del condensador (vea el punto "J" en "SONIDOS Y SEÑALES NORMALES DE FUNCIONAMIENTO").
Serpentín del condensador (modelos enfriados con aire solamente)	<ul style="list-style-type: none"> <li>• Aspiradora</li> </ul>	Use el accesorio de limpieza de polvo de su aspiradora para remover la acumulación de polvo en el serpentín (tubos y alambres de color negro) que se encuentra en la parte trasera de los refrigeradores enfriados con aire.
Bandeja para el agua de descongelación	<ul style="list-style-type: none"> <li>• Agua y jabón</li> </ul>	Algunos modelos cuentan con una bandeja para el agua de descongelación, ubicada sobre el compresor en la parte inferior trasera del refrigerador (vea la ilustración en la página siguiente). Limpie la bandeja de agua con un paño húmedo. NOTA: La bandeja para el agua de descongelación NO es removible.
Exterior (modelos de acero inoxidable Easy Care)	<ul style="list-style-type: none"> <li>• Agua y jabón</li> <li>• Rociadores de líquidos suaves</li> </ul>	<b>PRECAUCIÓN: NO utilice limpiadores abrasivos o para acero inoxidable en los modelos Easy Care de acero inoxidable, ya que eliminarán la capa protectora de acabado.</b> Limpie la superficie de los modelos Easy Care con agua tibia y jabonosa. Las manchas difíciles se pueden eliminar con rociadores de líquidos suaves.



## CUIDADO Y LIMPIEZA (CONTINUACIÓN)

### CONDENSADOR “NEVER CLEAN” (NO REQUIERE LIMPIEZA) (ALGUNOS MODELOS)

Si su refrigerador viene equipado con un condensador “Never Clean” (que no requiere limpieza), no es necesario limpiarlo en condiciones de funcionamiento normales. Si el refrigerador funciona en condiciones especialmente grasosas o polvorosas, o si hay mucho movimiento de mascotas en su hogar, tal vez sea necesario limpiar el condensador con frecuencia para asegurar una máxima eficiencia.



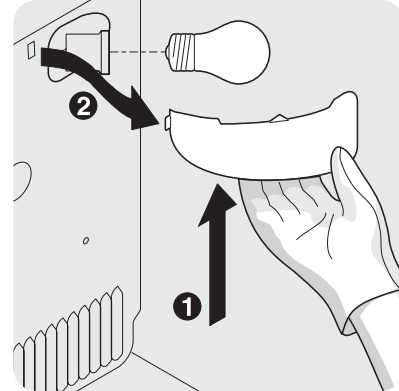
Bandeja para el agua de descongelación (algunos modelos)

### REEMPLAZO DE LA BOMBILLA DEL CONGELADOR (ALGUNOS MODELOS)

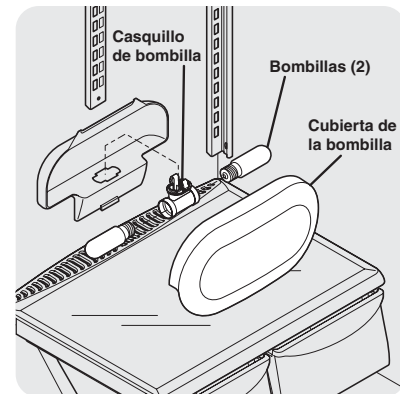
1. Desenchufe el refrigerador.
2. Use guantes como protección contra posibles vidrios rotos.
3. Desenganche el protector de la luz como se muestra.
4. Desenrosque y reemplace la bombilla fundida con una bombilla para electrodomésticos de la misma potencia.
5. Vuelva a instalar el protector de la luz.
6. Recuerde enchufar nuevamente el refrigerador.

### ⚠ PRECAUCIÓN

Use guantes para evitar cortaduras cuando reemplace las bombillas.



Desinstalación de la cubierta de la luz del congelador



Desinstalación de la cubierta de la luz central del refrigerador

### Sugerencias para vacaciones y mudanzas

<b>Vacaciones cortas</b>	<ul style="list-style-type: none"> <li>• Deje el refrigerador en funcionamiento si sale de vacaciones durante 3 semanas o menos.</li> <li>• Consuma todos los alimentos perecederos del refrigerador.</li> <li>• Apague el fabricante automático de hielo y vacíe el depósito de hielo, incluso si se va sólo por unos pocos días.</li> </ul>
<b>Vacaciones largas</b>	<ul style="list-style-type: none"> <li>• Retire todos los alimentos y el hielo del refrigerador si se va de vacaciones por un mes o más.</li> <li>• Gire los controles a la posición "O" (apagado) y desconecte el suministro eléctrico.</li> <li>• Apague el fabricante automático de hielo y cierre la válvula de suministro de agua.</li> <li>• Limpie bien el interior del refrigerador.</li> <li>• Deje ambas puertas abiertas para evitar la acumulación de olores y de moho. De ser necesario, trabé las puertas para que queden abiertas.</li> </ul>
<b>Mudanza</b>	<ul style="list-style-type: none"> <li>• Retire todos los alimentos y el hielo del interior.</li> <li>• Si va a usar una carretilla, levante el refrigerador por un costado.</li> <li>• Ajuste las ruedas hasta arriba para protegerlas durante la mudanza.</li> <li>• Acolche el exterior del refrigerador para evitar rayar la superficie.</li> </ul>



## INFORMACIÓN SOBRE LA GARANTÍA

# GARANTÍA DEL REFRIGERADOR

*Su refrigerador está protegido por esta garantía*

	PERÍODO DE GARANTÍA	LA EMPRESA, A TRAVÉS DE SUS CENTROS DE SERVICIO TÉCNICO AUTORIZADO:	EL CONSUMIDOR ES RESPONSABLE DE:
<b>GARANTÍA COMPLETE POR UN AÑO</b>	Un año a partir de la fecha original de compra.	Pagará todos los costos de reparación o reemplazo de piezas de este aparato que tengan defectos en los materiales o en la mano de obra. Excluye los cartuchos originales y de reemplazo de los filtros de agua y hielo (en caso de incluirlos). Los cartuchos originales y de reemplazo tienen una garantía de 30 días (sólo repuestos).	Usted deberá cancelar los costos de las visitas de servicio técnico que se describen en la sección <b>RESPONSABILIDADES NORMALES DEL CONSUMIDOR</b> . *

\* Además de la garantía mostrada arriba, pregunta su abouy del comerciante **Crosley Extendió la Garantía Limitada que viene a usted en ninguna carga extra para el dos por décimos años.**

En los Estados Unidos, su aparato está garantizado por Crosley Corporation. No autorizamos a nadie a cambiar ni ampliar ninguna de nuestras obligaciones estipuladas en esta garantía. Nuestras obligaciones en cuanto a servicio técnico y repuestos estipuladas en esta garantía deben ser llevadas a cabo por la empresa un centro de servicio técnico autorizado por Crosley Corporation. En Canadá, su aparato está garantizado por Crosley Canada Corp.

### \*RESPONSABILIDADES NORMALES DEL CONSUMIDOR

**Esta garantía solamente a los productos cubre de uso doméstico normal y el consumidor es responsable por lo siguiente:**

1. Uso correcto del aparato de acuerdo con las instrucciones proporcionadas con el producto.
2. Instalación correcta por un técnico autorizado de acuerdo con las instrucciones proporcionadas con el aparato y conforme con las normativas locales de instalaciones eléctricas, de gas o plomería.
3. Conexión adecuada a una fuente de energía eléctrica con conexión a tierra y con el voltaje apropiado, cambio de fusibles fundidos, reparación de conexiones sueltas o defectos en el cableado del hogar.
4. Gastos de hacer accesible el aparato para el servicio técnico, como quitar la banda decorativa, gabinetes, anaqueles, etc., que no formaban parte del aparato cuando fue despachado desde la fábrica.
5. Daños al acabado después de la instalación.
6. Reemplazo de bombillas y/o tubos fluorescentes (en los modelos con estas características).

### EXCLUSIONES

**Esta garantía no cubre lo siguiente:**

1. DAÑOS CONSECUENTES O INCIDENTALES, TALES COMO LOS DAÑOS A LA PROPIEDAD Y GASTOS INCIDENTALES RESULTANTES DE CUALQUIER INCUMPLIMIENTO DE ESTA GARANTÍA ESCRITA O CUALQUIER OTRA GARANTÍA IMPLÍCITA.

**NOTAS:** Algunos estados no permiten la exclusión o limitación de daños incidentales o consecuentes, por lo que la presente limitación o exclusión podría no aplicarse en su caso.

2. Visitas de servicio técnico que no se refieran a mal funcionamiento o defectos en la mano de obra o en los materiales, o que se refieran a aparatos que no tengan uso doméstico. El consumidor pagará por dichas visitas.
3. Daños causados por servicio técnico realizado por personal técnico que no sea de Crosley Corporation ni esté autorizado por Crosley Corporation; el uso de repuestos distintos a los repuestos genuinos de Crosley Corporation, obtenidos de personas que no sean dichos técnicos de servicio; o causas externas como abuso, mal uso, suministro de energía inadecuado o hechos fortuitos.
4. Productos con los números de serie originales eliminados o alterados y que no puedan determinarse oportunamente.

### SI REQUIERE SERVICIO

Conserve la factura de compra, el recibo de entrega o cualquier otro registro de pago apropiado. La fecha de la factura determina el período de garantía, si se requiere servicio técnico. Si se realiza el servicio técnico, le conviene obtener y conservar todos los recibos. Esta garantía escrita le otorga ciertos derechos legales. Usted puede tener otros derechos que varían de acuerdo a la legislación estatal. El servicio técnico estipulado en esta garantía debe ser solicitado a través de Crosley Corporation en el siguiente teléfono y dirección:

Esta garantía es válida sólo en los 50 estados de EE.UU., en Puerto Rico, y Canadá. Las características o especificaciones descritas o ilustradas están sujetas a cambios sin previo aviso. Todas las garantías las otorga Crosley Corporation. En Canadá, su aparato está garantizado por Crosley Canada Corp.

Rev. 01/2006

### PARA EL CONTACTO DE INFORMACION DE GARANTIA:

USA 800-944-9044  
Canada 800-668-4606

### PARA el CONTACTO de INFORMACION de PRODUCTO:

336-761-1212  
Crosley Corporation  
111 Cloverleaf Dr.  
Winston-Salem, NC 27103  
[www.crosley.com](http://www.crosley.com)



## ANTES DE SOLICITAR SERVICIO TÉCNICO

**1-800-944-9044** (Estados Unidos)  
**1-800-668-4606** (Canadá)

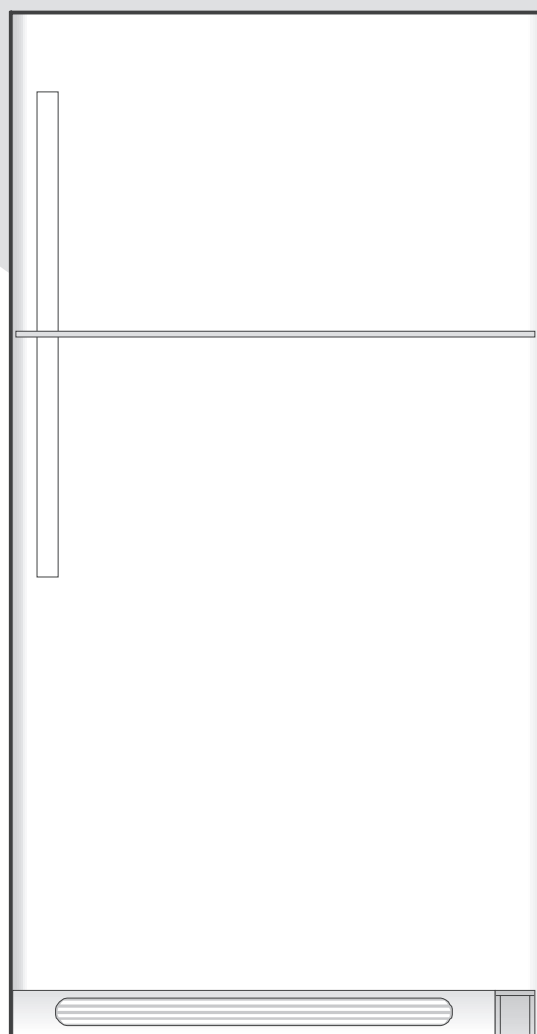
Visite nuestro sitio en Internet en  
**[www.crosley.com](http://www.crosley.com)**.

<b>Incidentes comunes</b>	Antes de solicitar servicio, revise esta lista. Al hacerlo, puede ahorrar tiempo y dinero. Esta lista incluye los incidentes más comunes que no son originados por el empleo de mano de obra o materiales defectuosos en este electrodoméstico.
<b>El refrigerador no funciona.</b>	<ul style="list-style-type: none"> <li>• Asegúrese de que el enchufe esté firmemente conectado al tomacorriente.</li> <li>• Verifique o reemplace el fusible con un fusible de acción retardada de 15 amp. Restablezca el disyuntor.</li> <li>• El control de temperatura está en la posición "O".</li> <li>• El refrigerador puede estar en el ciclo de descongelación. Espere 20 minutos y revise nuevamente.</li> </ul>
<b>Temperatura del congelador demasiado fría. La temperatura del refrigerador es satisfactoria.</b>	<ul style="list-style-type: none"> <li>• Gire el control del congelador a un ajuste más tibio hasta que la temperatura del congelador sea satisfactoria. Espere 24 horas hasta que la temperatura se estabilice.</li> </ul>
<b>La temperatura del refrigerador es demasiado fría. Temperatura satisfactoria del congelador.</b>	<ul style="list-style-type: none"> <li>• Gire el control del refrigerador a un ajuste más tibio. Espere 24 horas hasta que la temperatura se estabilice. Luego revise la temperatura del congelador y ajústela como sea necesario.</li> </ul>
<b>El refrigerador hace ruido o vibra.</b>	<ul style="list-style-type: none"> <li>• El refrigerador no está nivelado.</li> <li>• El piso es débil.</li> <li>• Vea la sección "<i>Sonidos y señales normales de funcionamiento</i>".</li> </ul>
<b>Olores en el refrigerador.</b>	<ul style="list-style-type: none"> <li>• Es necesario limpiar el interior.</li> <li>• Los alimentos que producen olores deben ser cubiertos o envueltos.</li> </ul>
<b>La luz del refrigerador no funciona.</b>	<ul style="list-style-type: none"> <li>• Reemplace la bombilla.</li> <li>• Asegúrese de que el enchufe esté firmemente conectado al tomacorriente.</li> <li>• El interruptor de la luz puede estar atascado. Oprima el interruptor de la luz que se encuentra en la caja de control del refrigerador para liberarlo.</li> </ul>
<b>El fabricante automático de hielo no funciona (algunos modelos).</b>	<ul style="list-style-type: none"> <li>• Asegúrese de que el brazo de alambre no esté en la posición SUPERIOR.</li> <li>• El fabricante de hielo produce entre 2,5 y 3 libras (entre 1,1 y 1,4 kg) de hielo en 24 horas.</li> <li>• El suministro de agua está cerrado.</li> <li>• La presión de agua es demasiado baja.</li> <li>• El congelador no está lo suficientemente frío.</li> </ul>

# Guide d'utilisation et d'entretien

## Réfrigérateur

*à compartiments superposés*



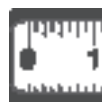
**Bienvenue** ..... 2



**Mesures de sécurité** ..... 3



**Installation** : Comprend le raccordement  
de l'alimentation en eau domestique  
à votre réfrigérateur ..... 4 - 5



**Dépose et inversion  
de la porte** ..... 6 - 9



**Aperçu des caractéristiques** ..... 9



**Commandes de température** ..... 10



**Vue intérieure** ..... 11 - 12



**Conseils sur la conservation  
des aliments et les économies  
d'énergie** ..... 13



**Distribution de glaçons** ..... 14



**Bruits d'un fonctionnement  
normal** ..... 15



**Entretien et nettoyage** ..... 16 - 17



**Garantie** ..... 18



**Avant de faire appel  
au service après-vente** ..... 19





## BIENVENUE ET FÉLICITATIONS

Félicitations pour l'achat de votre nouveau réfrigérateur! Chez **Crosley Corporation** nous sommes très fiers de nos produits et nous nous engageons totalement à vous fournir le meilleur service possible. Votre satisfaction est notre priorité.

Veuillez lire ce guide d'utilisation et d'entretien très attentivement. Il contient des informations importantes sur l'entretien de votre nouveau réfrigérateur.

Nous sommes sûrs que vous allez être satisfait de votre nouveau réfrigérateur et nous vous disons **Merci** d'avoir choisi un de nos produits. Nous espérons que votre choix s'arrêtera sur un nos produits lors de vos prochains achats.

### VEUILLEZ LIRE ET CONSERVER LES INSTRUCTIONS SUIVANTES.

Ce guide d'utilisation et d'entretien contient les instructions d'utilisation spécifiques à votre modèle. Utilisez votre réfrigérateur en suivant les instructions présentées dans ce guide seulement. Ces instructions ne traitent pas de toutes les conditions et situations possibles. Le bon sens et la prudence doivent être utilisés durant l'installation, l'emploi et l'entretien de tout appareil.

**Veillez noter ci-dessous le numéro de modèle et le numéro de série de votre appareil pour pouvoir vous y reporter ultérieurement. Ces informations se trouvent sur la plaque signalétique située à l'intérieur du compartiment réfrigérateur.**

#### REMARQUE

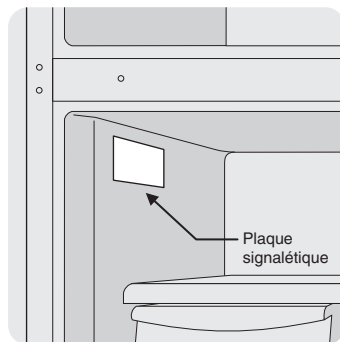
N'utilisez que du savon et de l'eau pour nettoyer la plaque signalétique.

Numéro de modèle : \_\_\_\_\_

Numéro de série : \_\_\_\_\_

Date d'achat : \_\_\_\_\_

*Veillez remplir et poster la **carte d'enregistrement du produit** fournie avec votre réfrigérateur.*



### POUR LE CONTACT D'INFORMATION DE PRODUIT:

**336-761-1212**

Crosley Corporation  
111 Cloverleaf Dr.  
Winston-Salem, NC 27103  
[www.crosley.com](http://www.crosley.com)

Veillez attacher les reçus de ventes ici pour référence future.





## IMPORTANTES MESURES DE SÉCURITÉ



### AVERTISSEMENT

Veillez lire toutes les instructions avant d'utiliser ce réfrigérateur.

### POUR VOTRE SÉCURITÉ

- N'entreposez pas et n'utilisez pas d'essence ou d'autres liquides inflammables à proximité de ce réfrigérateur ou de tout autre appareil électroménager. Lisez les étiquettes du produit concernant les avertissements d'inflammabilité et autres dangers.
- Ne faites pas fonctionner le réfrigérateur en présence de vapeurs explosives.
- Évitez tout contact avec les pièces mobiles de la machine à glaçons automatique.
- Enlevez toutes les agrafes du carton. Les agrafes peuvent occasionner des coupures sévères et endommager les finitions si elles entrent en contact avec d'autres électroménagers ou meubles.

### SÉCURITÉ DES ENFANTS

Détruisez ou recyclez le carton, les sacs en plastique et tout matériau d'emballage externe immédiatement après le déballage du réfrigérateur. Les enfants ne devraient **JAMAIS** jouer avec ces articles. Les cartons recouverts de tapis, de couvertures, de feuilles de plastique ou de film étirable peuvent devenir étanches à l'air et rapidement provoquer un étouffement.



### AVERTISSEMENT

Vous devez suivre ces directives pour que les mécanismes de sécurité de votre réfrigérateur fonctionnent correctement.

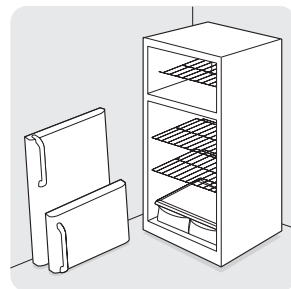
### ÉLECTRICITÉ

- **Le réfrigérateur doit être branché sur sa propre prise électrique de 115 volts, 60 Hz, CA seulement.** Le cordon d'alimentation de l'appareil est muni d'une fiche à trois broches avec mise à la terre pour assurer votre protection contre les chocs électriques. Il doit être branché directement sur une prise à trois alvéoles correctement mise à la terre. La prise murale doit être installée conformément aux codes locaux et à la réglementation en vigueur. Demandez conseil à un électricien qualifié. **N'utilisez pas de rallonge électrique ou de fiche d'adaptation.**
- Si le cordon d'alimentation électrique est endommagé, demandez au fabricant, à un réparateur ou à une personne qualifiée de le remplacer afin de prévenir tout danger.
- Ne débranchez jamais le réfrigérateur en tirant sur le cordon d'alimentation. Tenez toujours fermement la fiche et retirez-la de la prise en la tenant bien droite pour éviter d'endommager le cordon d'alimentation.
- Afin d'éviter les chocs électriques, débranchez le réfrigérateur avant de le nettoyer et avant de remplacer une ampoule.
- Le rendement de votre réfrigérateur risque d'être affecté si la tension varie de 10 % ou plus. L'utilisation du réfrigérateur sans une alimentation électrique suffisante peut endommager le compresseur. Un tel dommage n'est pas couvert par la garantie.
- Pour éviter que le réfrigérateur ne soit accidentellement débranché, ne le branchez pas sur une prise commandée par un interrupteur mural ou un cordon de tirage.
- Évitez de brancher le réfrigérateur à un circuit avec interrupteur (GFI).

### MISE AU REBUT APPROPRIÉE DE VOTRE RÉFRIGÉRATEUR OU CONGÉLATEUR

#### Dangers d'enfermement des enfants

Les risques d'enfermement et de suffocation des enfants constituent un problème dont il faut sérieusement tenir compte. Les réfrigérateurs ou congélateurs abandonnés ou mis au rebut sont dangereux, même si ce n'est « que pour quelques jours ». Si vous désirez vous défaire de votre vieux réfrigérateur ou congélateur, veuillez suivre les instructions ci-dessous afin d'aider à prévenir les accidents.



#### Avant de mettre au rebut votre vieux réfrigérateur/congélateur :

- Enlevez les portes.
- Laissez les clayettes en place pour que les enfants ne puissent pas grimper facilement à l'intérieur.
- Demandez à un technicien de service qualifié d'enlever le réfrigérant.

### IMPORTANT

En réglant les commandes du congélateur et du réfrigérateur à la position « 0 », vous éteignez le compresseur et empêchez le réfrigérateur de refroidir, sans toutefois couper l'alimentation de l'ampoule et des autres composants électriques. Pour couper l'alimentation de votre réfrigérateur, débranchez le cordon d'alimentation de la prise murale.

Prise murale avec mise à la terre



Ne jamais couper, enlever ou mettre hors circuit la broche de mise à la terre de cette fiche.

Cordon électrique muni d'une fiche à trois broches avec mise à la terre





## INSTALLATION

Ce guide d'utilisation et d'entretien contient des instructions d'utilisation spécifiques à votre modèle. Utilisez votre réfrigérateur en suivant les instructions présentées dans ce guide seulement. **Avant de mettre le réfrigérateur en marche, suivez ces étapes initiales importantes.**

### EMPLACEMENT

- Placez l'appareil près d'une prise électrique mise à la terre. **N'utilisez pas** de rallonge électrique ou de fiche d'adaptation.
- Si possible, ne placez pas le réfrigérateur directement sous la lumière du soleil et placez-le loin de la cuisinière, du lave-vaisselle et des autres sources de chaleur.
- Le réfrigérateur doit être installé sur un plancher de niveau et assez solide pour supporter le poids de l'appareil une fois plein.
- Tenez compte de la proximité de l'approvisionnement en eau pour les modèles munis d'une machine à glaçons automatique.

### INSTALLATION

#### ATTENTION

N'installez pas le réfrigérateur dans un endroit où la température descend en dessous de 13 °C (55 °F) ou monte au-dessus de 43 °C (110 °F). Le compresseur ne pourra maintenir la température appropriée à l'intérieur du réfrigérateur.

N'obstruez pas la grille de protection située à l'avant de votre réfrigérateur. Une bonne circulation d'air est essentielle pour que votre réfrigérateur fonctionne

#### IMPORTANT

Si vous installez votre réfrigérateur dans un garage ou un endroit non chauffé, vous risquez d'avoir des difficultés avec la température du congélateur l'hiver, lorsque la température extérieure est de moins 12 °C (55 °F).

Vous n'avez qu'à munir votre réfrigérateur d'un ensemble de garage qui diminuera la température minimale de fonctionnement de votre appareil pour la situer à 1 °C (34 °F). Vous pouvez commander cet ensemble par l'entremise de la *Ligne d'assistance Electrolux* (reportez-vous à la dernière de couverture).

### Dégagement nécessaire pour l'installation

- Respectez les distances suivantes pour faciliter l'installation, une bonne circulation d'air ainsi que les connexions électriques et de plomberie :
 

Côtés et dessus	1 cm (3/8 po)
Arrière	2,5 cm (1 po)

#### REMARQUE

Si l'arrière de votre réfrigérateur est muni de serpentins noirs/de tuyauterie (condenseur à refroidissement par air), laissez un espace de 7,6 cm (3 po) dans le haut du réfrigérateur.

### OUVERTURE DE LA PORTE

Votre réfrigérateur doit être placé près d'un comptoir de manière à vous permettre d'y déposer facilement la nourriture. À cet effet, les portes peuvent être inversées pour s'ouvrir dans un sens ou dans l'autre. Voyez *Instructions de dépose et d'inversion de la porte*.

#### REMARQUE

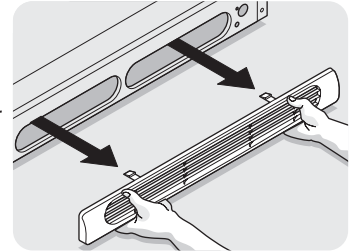
Si votre réfrigérateur est positionné contre un mur sur le côté des charnières, vous devrez peut-être le distancer du mur pour permettre une plus grande ouverture de la porte.

### MISE À NIVEAU

Les quatre coins de votre réfrigérateur doivent reposer fermement sur un plancher solide. Votre réfrigérateur est muni de roulettes avant réglables ou de vis de mise à niveau avant pour faciliter la mise à niveau de votre appareil.

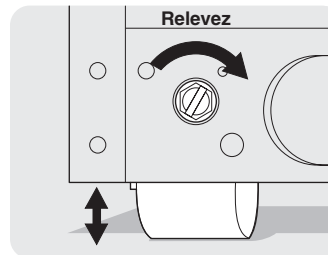
#### Pour mettre votre réfrigérateur à niveau :

- Enlevez la grille de protection.
- Utilisez un tournevis à pointe plate ou une clé à douille de 3/8 po pour ajuster la hauteur des roulettes avant. Utilisez une clé ajustable pour régler la hauteur des vis de mise à niveau.

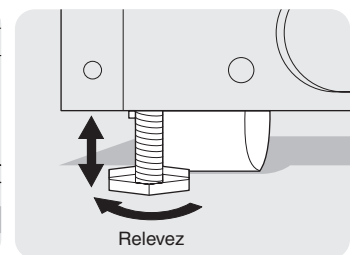


#### REMARQUE

Élevez l'avant du réfrigérateur suffisamment pour que les portes se ferment d'elles-mêmes lorsqu'elles sont à moitié ouvertes. L'inclinaison du réfrigérateur doit être de 0,6 à 1,3 cm (¼ à ½ po) de l'avant vers l'arrière. Ensuite, mettez les côtés du réfrigérateur à niveau.



Roulette avant réglable (certains modèles)



Roulette avant réglable avec vis de mise à niveau (certains modèles)



## RACCORDEMENT DE L'ALIMENTATION EN EAU DOMESTIQUE À VOTRE RÉFRIGÉRATEUR



### AVERTISSEMENT

Pour éviter un choc électrique qui pourrait causer de graves blessures ou même la mort, coupez l'alimentation électrique du réfrigérateur avant de le raccorder à l'alimentation en eau.



### ATTENTION

Pour éviter des dommages matériels :

- Il est recommandé d'utiliser une conduite en cuivre pour l'alimentation en eau. Un tube en plastique de 6,4 mm (¼ po) n'est pas recommandé puisqu'il augmente fortement les risques de fuites. Le fabricant n'est pas responsable des dommages causés par l'utilisation d'un tuyau en plastique pour l'alimentation en eau.
- N'INSTALLEZ PAS de conduite d'alimentation en eau dans les régions où les températures descendent sous le point de congélation.
- Les produits chimiques provenant d'un adoucisseur peuvent endommager la machine à glaçons. Si la machine à glaçons est raccordée à un adoucisseur, assurez-vous que ce dernier est entretenu et qu'il fonctionne correctement.

### IMPORTANT

Assurez-vous que votre conduite d'alimentation en eau est conforme aux codes de plomberie locaux.

Avant d'installer l'alimentation en eau, vous aurez besoin :

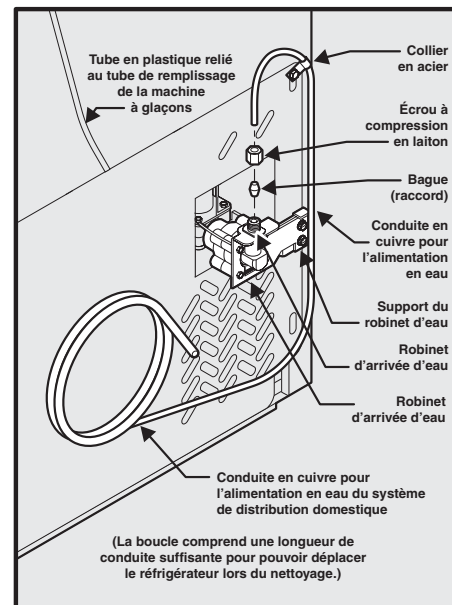
- Des outils de base : une clé à molette, un tournevis à lame plate et un tournevis Phillips<sup>MC</sup>.
- D'un accès à la canalisation d'eau froide domestique d'une pression entre 30 et 100 lb/po<sup>2</sup>.
- D'une conduite d'alimentation en eau en cuivre d'un diamètre extérieur de 6,4 mm (1/4 po). Pour déterminer la longueur de conduite de cuivre nécessaire, vous devez mesurer la distance entre l'arrivée du robinet d'eau de la machine à glaçons à l'arrière du réfrigérateur et le tuyau d'eau froide. Puis, ajoutez approximativement 2,1 mètres (7 pieds) afin de pouvoir déplacer le réfrigérateur lors du nettoyage (comme illustré).
- D'un robinet d'arrêt qui raccorde l'alimentation en eau à votre système d'alimentation en eau domestique. **N'UTILISEZ PAS** de robinets d'arrêt de type auto-perceur.
- D'un écrou à compression et d'une bague pour joindre l'alimentation en eau à l'arrivée du robinet d'eau de la machine à glaçons.

### REMARQUE

L'ensemble de canalisation numéro 5303917950, disponible chez votre marchand d'électroménagers moyennant des frais supplémentaires, contient 7,6 m (25 pi) de conduite en cuivre d'un diamètre extérieur de 6,4 mm (¼ po), un robinet à étrier (sans perçage), (2) écrous à compression en laiton de ¼ po, (2) bagues et des instructions pour installer l'alimentation en eau.

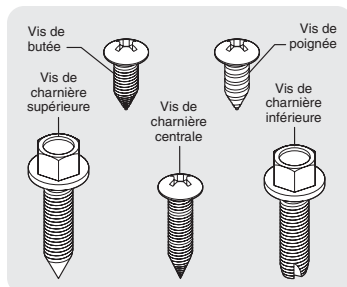
Raccordement de l'alimentation en eau à l'arrivée du robinet d'eau de la machine à glaçons :

1. Débranchez le réfrigérateur.
2. Placez l'extrémité de la conduite en cuivre dans un évier ou dans un seau. OUVREZ l'alimentation en eau et laissez couler l'eau jusqu'à ce qu'elle soit propre. Tournez l'alimentation en eau à l'aide du robinet d'arrêt.
3. Dévissez le capuchon en plastique de l'arrivée du robinet d'eau et jetez-le.
4. Faites glisser l'écrou à compression en laiton, puis mettez la bague sur la conduite en cuivre de l'alimentation en eau, comme illustré.
5. Poussez la conduite d'alimentation en eau dans le robinet d'arrivée d'eau, aussi loin que possible 0,6 cm (¼ po). Faites glisser la bague d'arrivée d'eau, (le raccord) dans l'arrivée du robinet et serrez à la main l'écrou à compression sur le robinet. Serrez d'un autre demi-tour à l'aide d'une clé; **NE SERREZ PAS** trop.
6. Fixez la conduite d'alimentation en eau au panneau arrière du réfrigérateur avec un collier en acier et une vis, comme illustré.
7. Enroulez l'excès de la conduite d'eau (2 tours et demi environ) derrière votre réfrigérateur, comme illustré, et disposez les serpentins pour ne pas qu'ils vibrent ou s'usent contre d'autres surfaces.
8. OUVREZ le robinet d'arrêt de l'alimentation en eau et serrez toute connexion qui fuit.
9. Rebranchez le réfrigérateur.
10. Pour mettre la machine à glaçons en marche, abaissez la manette métallique (voyez le couvercle avant de la machine à glaçons pour connaître la position MARCHE/ARRÊT de la manette).

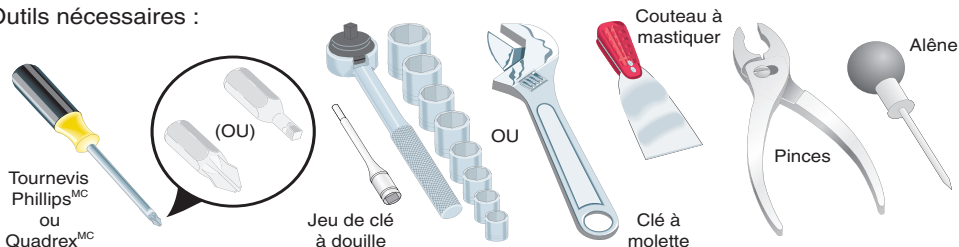




## INSTRUCTIONS DE DÉPOSE ET D'INVERSION DE LA PORTE



Outils nécessaires :



### INSTRUCTIONS DE DÉPOSE ET D'INVERSION DE LA PORTE :

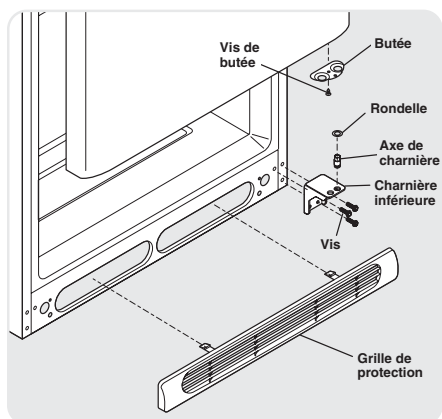
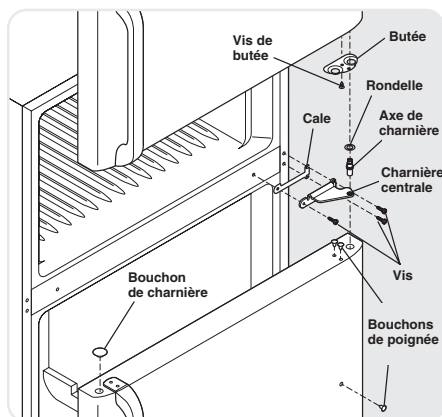
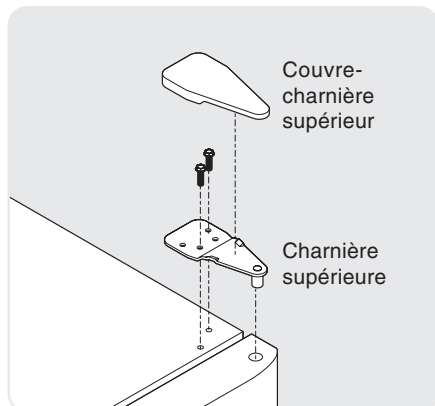
#### REMARQUE

Si vous avez des portes en acier inoxydable, reportez-vous à la section *Retirer les portes et les poignées en acier inoxydable* de la page 9.

Les portes de votre réfrigérateur peuvent être inversées pour s'ouvrir dans les deux sens, de gauche à droite ou de droite à gauche, en déplaçant les charnières de côté. L'inversion de l'ouverture de la porte devrait être effectuée par une personne qualifiée.

#### IMPORTANT

Avant de commencer, mettez la commande de température à la position « 0 » et débranchez le cordon d'alimentation de la prise murale. Enlevez la nourriture sur les balconnets.



1. Enlevez la grille de protection.
2. Enlevez le couvre-charnière supérieur. À l'aide d'un crayon à mine, tracez le contour de la charnière. Ceci facilite la repose. Enlevez la charnière supérieure et soulevez la porte pour l'enlever de l'axe de la charnière centrale. Mettez la porte de côté.
3. Dévissez l'axe de la charnière centrale à l'aide d'une clé à molette et conservez-la jusqu'au réassemblage. Assurez-vous de laisser les rondelles de plastique sur l'axe de la charnière.
4. Retirez la porte du réfrigérateur de la charnière inférieure, puis mettez-la de côté.
5. Enlevez la charnière centrale et la cale en retirant la vis interne et en desserrant les deux vis externes de manière à ce que la charnière et la cale se libèrent en glissant. Serrez les vis.
6. Desserrez les deux vis externes du côté opposé du réfrigérateur, retirez la vis interne et installez la charnière centrale.
7. Retirez les deux vis de la charnière inférieure à l'aide d'une clé à douille de 3/8 po.
8. Installez la charnière inférieure sur le côté opposé à l'aide des deux vis retirées à l'étape 7.
9. Dévissez l'axe de la charnière inférieure à l'aide d'une clé à molette. Placez l'axe de charnière dans l'autre trou de la charnière et serrez à l'aide d'une clé à molette.
10. Inversez les poignées de la porte (reportez-vous aux instructions de la page suivante).
11. Installez les butées de porte du réfrigérateur et du congélateur sur le côté opposé. Avant de visser, percez la mousse à l'aide d'une alène.
12. Placez la porte sur l'axe de la charnière inférieure et vissez l'axe de la charnière centrale dans la charnière centrale et la partie supérieure de la porte. Fermez la porte du réfrigérateur afin de faciliter l'alignement du trou de la charnière.
13. Serrez l'axe de la charnière centrale à l'aide de la clé à molette.
14. Retirez les bouchons des trous de la caisse et de la charnière et placez-les sur le côté opposé.
15. Posez la porte du congélateur sur l'axe de la charnière centrale.
16. Fermez la porte du congélateur. Demandez à quelqu'un de soulever le côté opposé de la porte pendant que vous serrez les vis pour installer la charnière supérieure.
17. Remplacez la grille de protection.
18. Branchez le cordon d'alimentation électrique et placez la commande de température en position centrale. Modifiez le réglage au besoin.



## INSTRUCTIONS DE DÉPOSE ET D'INVERSION DE LA PORTE

### REMARQUE

Certains modèles sont munis d'une poignée « en creux », encadrée dans le côté de la porte. Pour ce genre de modèle, seules les charnières doivent être inversées.

### RETIRER LA POIGNÉE DU CONGÉLATEUR :

(Les poignées s'inversent plus facilement lorsque les portes ne sont pas posées.)

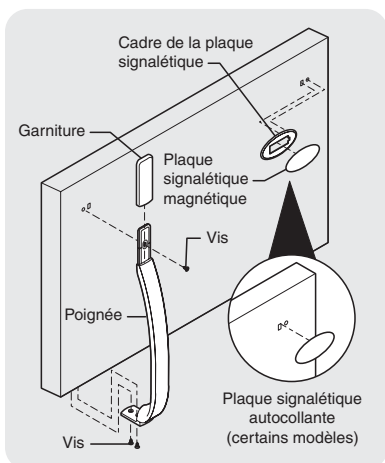
1. Retirez les deux vis maintenant la poignée au bas de la porte du congélateur.
2. Retirez la petite garniture en la glissant vers le haut pour la sortir du support de la poignée.
3. Enlevez la vis maintenant le haut de la poignée à la porte.
4. **Modèles de plaque signalétique magnétique :** Soulevez délicatement le cadre de la plaque signalétique magnétique de la porte. Retirez la plaque signalétique du cadre, tournez le cadre à l'envers et posez-le dans les anciens trous de la poignée. Remplacez la plaque signalétique dans le cadre.

#### Modèles de plaque signalétique

**autocollante :** Retirez délicatement la plaque signalétique de la porte et posez-la dans les anciens trous de la poignée.

### INSTALLER LA POIGNÉE DU CONGÉLATEUR :

1. Posez la poignée du côté opposé dans les anciens trous de la plaque signalétique.
2. Fixez la poignée au bas de la porte.
3. Faites glisser la garniture vers le bas, dans le support de la poignée.



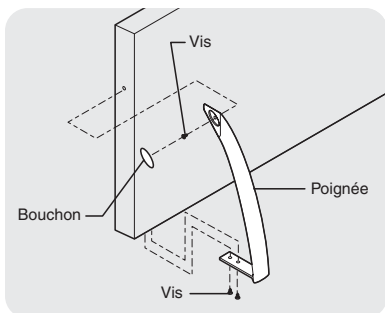
### RETIRER LA PORTE DU CONGÉLATEUR :

(Les poignées s'inversent plus facilement lorsque les portes ne sont pas posées.)

1. Enlevez les deux vis maintenant la poignée au bas de la porte du congélateur.
2. Enlevez le bouchon à l'aide d'un couteau à mastiquer.
3. Retirez la vis située sur le côté de la porte du congélateur, puis enlevez la poignée.

### INSTALLER LA POIGNÉE DU CONGÉLATEUR :

1. Fixez le côté de la poignée à la porte et remplacez le bouchon.
2. Fixez la poignée au bas de la porte.



### REMARQUE

Pour retirer la poignée du congélateur, reportez-vous à l'illustration 3 de la page 8.

### RETIRER LA PORTE DU CONGÉLATEUR :

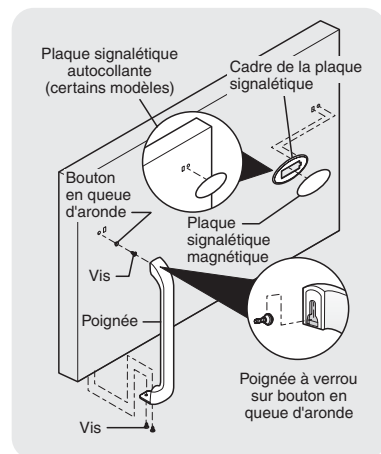
(Les poignées s'inversent plus facilement lorsque les portes ne sont pas posées.)

1. Retirez les deux vis maintenant la poignée au bas de la porte du congélateur.
2. Faites pivoter le bas de la poignée en la tirant vers vous et faites glisser la poignée vers le haut pour la retirer du bouton en queue d'aronde.
3. Retirez la vis et le bouton en queue d'aronde, puis posez-les de l'autre côté dans les anciens trous de la plaque signalétique.
4. **Modèles de plaque signalétique magnétique :** À l'aide d'un couteau à mastiquer, retirez délicatement le cadre de la plaque signalétique magnétique de la porte. Retirez la plaque signalétique du cadre, tournez le cadre à l'envers et posez-le dans les anciens trous de la poignée. Remplacez la plaque signalétique dans le cadre.

**Modèles de plaque signalétique autocollante :** À l'aide d'un couteau à mastiquer, retirez délicatement la plaque signalétique de la porte, puis posez-la dans les anciens trous de la poignée.

### INSTALLER LA POIGNÉE DU CONGÉLATEUR :

1. D'abord, décalez la poignée de la porte pour la positionner. Placez le haut de la poignée sur le bouton en queue d'aronde, faites pivoter le poignée en position verticale, puis tirez vers le bas pour enclencher la poignée en place.
2. Fixez le bas de la poignée à l'aide des deux vis retirées plus tôt.



### RETIRER LA GARNITURE (MODÈLES AVEC GARNITURE PLEINE LONGUEUR SEULEMENT)

La porte du réfrigérateur de certains modèles possède une garniture pleine longueur qui s'étend du bas de la poignée au bas de la porte. Le haut de la garniture se fixe au support de la poignée (figure 1) ou s'enclenche dans le bas de la poignée (figure 2). Un « verrou à garniture » adhésif est placé à mi-chemin vers le bas. Le bas de la garniture se maintient en place à l'aide d'un verrou à garniture adhésif ou un verrou à garniture muni de deux fourchons qui s'insèrent dans un trou situé à l'avant de la porte.

### RETIRER LA GARNITURE :

1. Pour retirer la garniture, tirez délicatement vers vous aux endroits où sont situés les verrous à garniture.
2. Une fois que vous avez dégagé la garniture de la porte, glissez-la vers le bas en l'éloignant de la base de la poignée.

### REMARQUE

Pour les modèles dont la garniture de la poignée est courte, faites glisser la garniture vers le bas pour la retirer du support de la poignée.



## INSTRUCTIONS DE DÉPOSE ET D'INVERSION DE LA PORTE

### RETIRER LA POIGNÉE DU RÉFRIGÉRATEUR :

(Les poignées s'inversent plus facilement lorsque les portes ne sont pas posées.)

#### Poignées similaires à celles de la figure 1

1. Retirez les deux vis maintenant la poignée au haut de la porte du réfrigérateur.
2. Enlevez la vis maintenant le bas de la poignée à la porte.
3. Retirez les deux bouchons des trous et le bouchon de l'axe de la charnière dans le haut de la porte, puis installez-les du côté opposé. Utilisez un tournevis Phillips pour retirer le bouchon à vis en plastique situé à l'avant de la porte, puis fixez-le du côté opposé.

#### Poignées similaires à celles de la figure 2

1. Retirez les deux vis maintenant la poignée au haut de la porte du réfrigérateur.
2. Éloignez le haut de la poignée de la porte et faites-la glisser vers le bas pour la retirer du bouton en queue d'aronde.
3. Retirez la vis et le bouton en queue d'aronde, puis posez-les de l'autre côté, en vous assurant de placer les bouchons dans les trous opposés correspondants.

### INSTALLER LA POIGNÉE DU RÉFRIGÉRATEUR :

#### Poignées similaires à celles de la figure 1

1. Fixez le bas de la poignée avec les vis.
2. Fixez le haut de la poignée avec les vis.

#### Poignées similaires à celles de la figure 2

1. D'abord, décalez la poignée de la porte. Placez le bas de la poignée sur le bouton en queue d'aronde, faites pivoter la poignée en position verticale, puis tirez-la vers le haut pour l'enclencher.
2. Fixez le haut de la poignée avec les vis.

### RETIRER LA POIGNÉE DU RÉFRIGÉRATEUR :

(Les poignées s'inversent plus facilement lorsque les portes ne sont pas posées.)

1. Enlevez les deux vis maintenant la poignée au haut de la porte du réfrigérateur.
2. Enlevez le bouchon à l'aide d'un couteau à mastiquer.
3. Retirez la vis située sur le côté de la porte du réfrigérateur, puis enlevez la poignée.
4. Inversez les portes du congélateur et du réfrigérateur, comme illustré à la Figure 3.

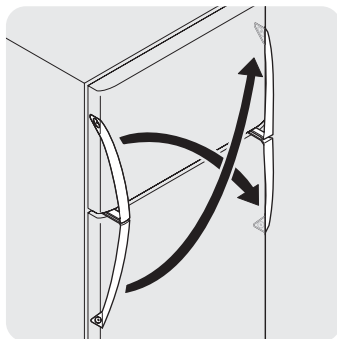
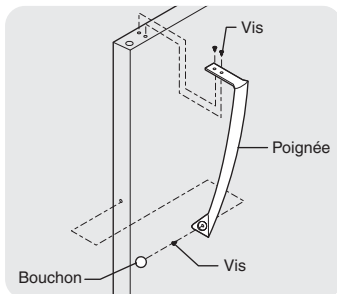


Figure 3 - Inverser les poignées



Porte de réfrigérateur sans garniture

### FIXER LA GARNITURE :

1. Faites glisser les deux verrous à garniture pour les retirer de celle-ci.
2. Insérez les nouveaux verrous à garniture adhésifs compris dans votre pochette de documentation.

### REMARQUE

Pour retirer et poser le verrou à garniture, glissez-le au-dessus des deux pièces en forme d'anneau.

3. Pour poser la garniture à la poignée, faites glisser la garniture sous la base de la poignée. Alignez la garniture avec précision et appuyez sur la garniture, aux endroits où se trouvent les verrous à garniture.
4. Utilisez de l'acool à friction pour enlever les résidus de colle des anciens verrous à garniture.

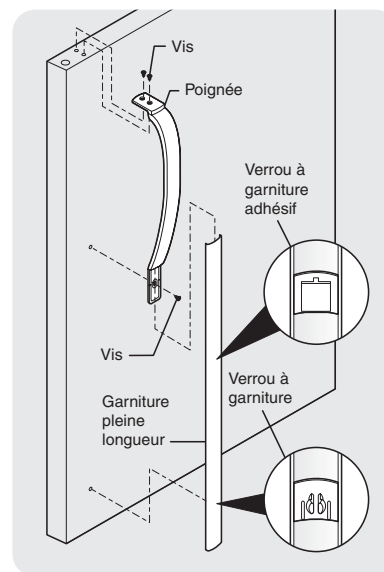


Figure 1

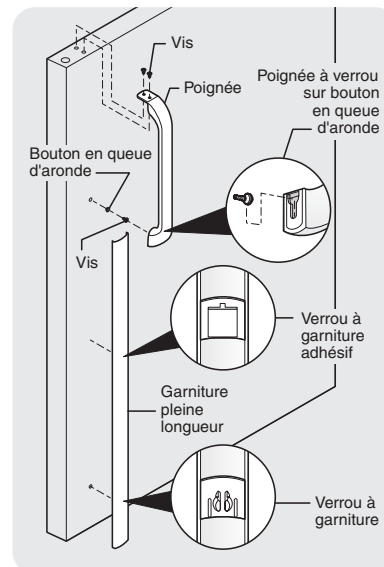


Figure 2



## INSTRUCTIONS DE DÉPOSE ET D'INVERSION DE LA PORTE

### RETIRER LES PORTES ET LES POIGNÉES EN ACIER INOXYDABLE

#### ATTENTION

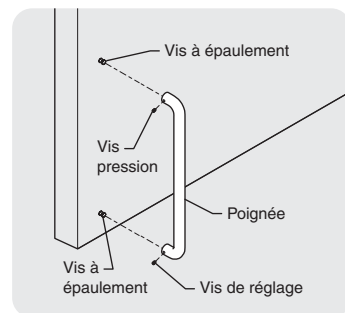
Soyez vigilant lorsque vous utilisez des outils à proximité d'une surface en acier inoxydable pour éviter les rayures.

#### Retirer les portes

Les portes en acier inoxydable ne peuvent être inversées. Veuillez suivre les étapes suivantes pour retirer les portes.

1. Enlevez la grille de protection et le couvre-charnière supérieur.
2. Enlevez la charnière supérieure et soulevez la porte du congélateur pour l'enlever de l'axe de la charnière centrale. Mettez la porte de côté.
3. Dévissez l'axe de la charnière centrale à l'aide d'une clé à molette et conservez-la pour le réassemblage. Assurez-vous de laisser les rondelles de plastique sur l'axe de la charnière.
4. Retirez la porte du réfrigérateur de la charnière inférieure, puis mettez-la de côté.

5. Pour retirer la charnière centrale et la cale, enlevez la vis intérieure et dévissez suffisamment les deux vis extérieures pour permettre de retirer la charnière en la glissant.
6. Enlevez la charnière inférieure. Remplacez les deux vis extérieures, puis serrez-les.
7. Inversez les étapes de 1 à 6 pour réinstaller les portes.



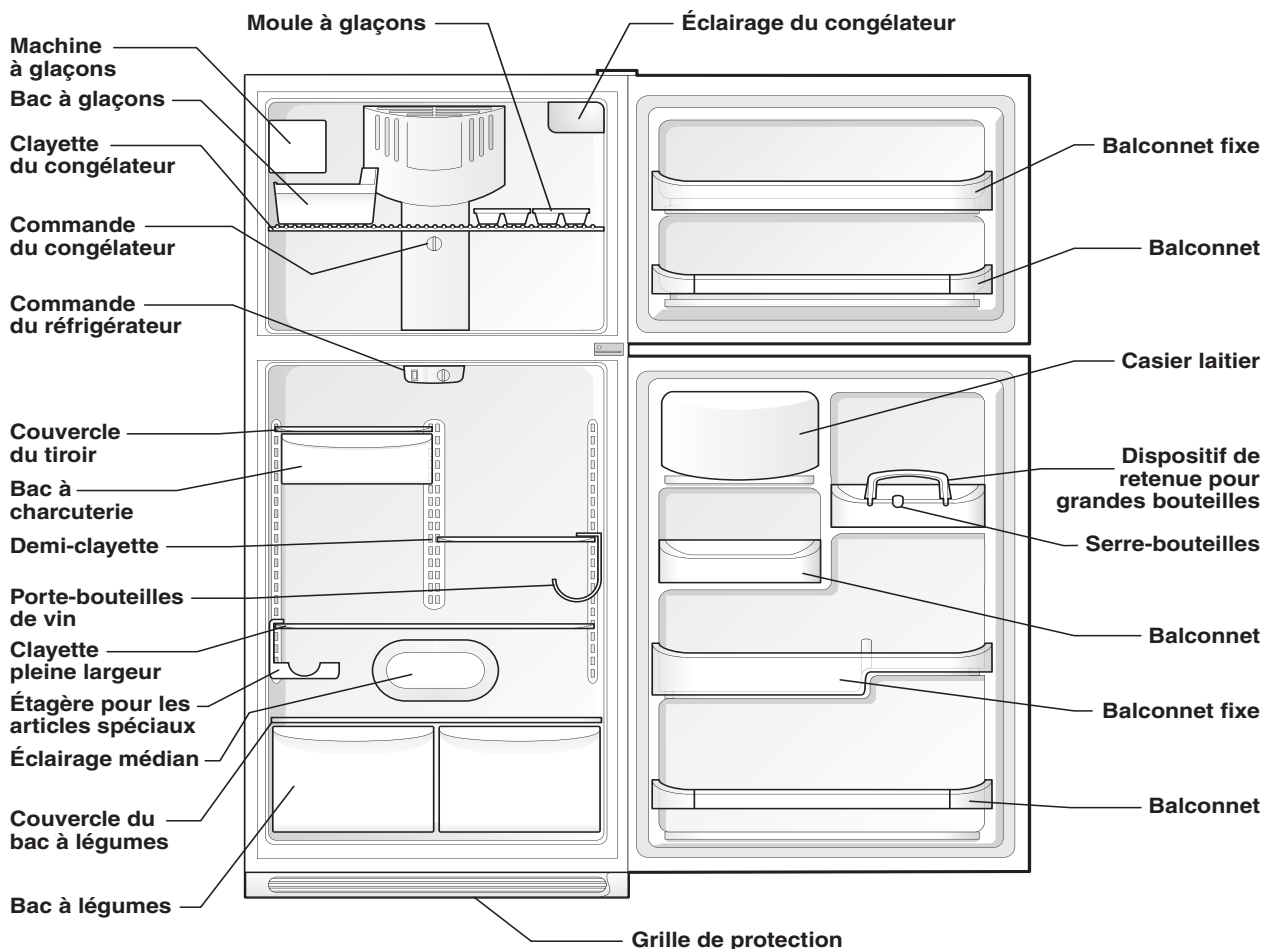
Poignée classique

#### Retirer les poignées

1. Dévissez les vis de réglage à l'aide d'une clé hexagonale de 3/32 po tout en tenant fermement la poignée du congélateur. Retirez la poignée du congélateur.
2. Répétez l'étape 1 pour la porte du réfrigérateur.



## APERÇU DES CARACTÉRISTIQUES



Les caractéristiques peuvent varier selon les modèles.



## COMMANDES DE TEMPÉRATURE

### PÉRIODE DE REFROIDISSEMENT

Pour permettre une bonne conservation des aliments, faites fonctionner votre réfrigérateur les portes fermées pendant au moins 8 à 12 heures avant d'y mettre de la nourriture.

### COMMANDES DU RÉFRIGÉRATEUR ET DU CONGÉLATEUR

#### REMARQUE

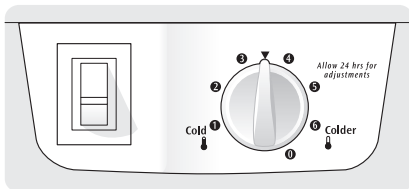
Pour modifier les réglages des commandes de température, laissez la température se stabiliser pendant 24 heures avant de faire d'autres changements.

#### REMARQUE

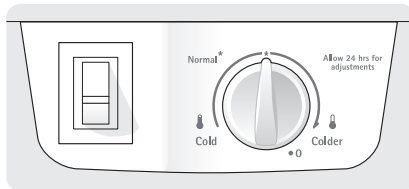
Lorsque vous mettez le réfrigérateur en marche pour la première fois, réglez les commandes du réfrigérateur et du congélateur à **Normal**. Il s'agit du réglage de base recommandé. Après 24 heures, ajustez les commandes selon le besoin.



Commandes du congélateur (certains modèles)



OU



Commandes du réfrigérateur (certains modèles)

### RÉGLAGE DE LA TEMPÉRATURE

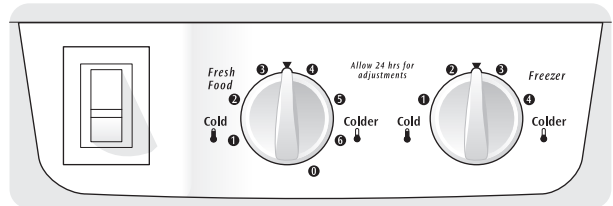
- **Ajustez la température graduellement** : Tournez le bouton peu à peu afin de permettre à la température de se stabiliser.
- Pour des températures plus froides, tournez le bouton vers **Colder (Plus froid)**.
- Pour des températures plus chaudes, tournez le bouton vers **Cold (Froid)**.

La commande du réfrigérateur modifie les températures des deux compartiments. Par exemple, si vous changez la commande du réfrigérateur pour un réglage plus froid, vous pourriez avoir à ajuster la commande du congélateur à un réglage plus chaud. La commande du congélateur modifie seulement la température du congélateur.

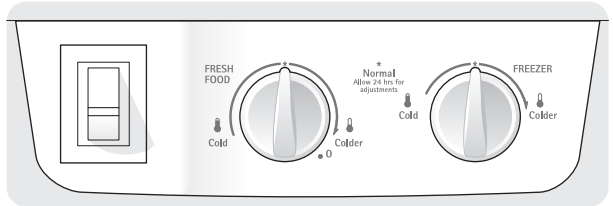
Pour maintenir les températures, un ventilateur fait circuler l'air dans le réfrigérateur et le congélateur. Afin d'assurer une bonne circulation, veillez à ce que les aliments ne bloquent pas les sorties d'air froid.

#### \* IMPORTANT

En réglant la commande de température à la position « 0 », vous éteignez le compresseur et empêchez le réfrigérateur de refroidir, sans toutefois couper l'alimentation de l'ampoule et des autres composants électriques. Pour couper l'alimentation de votre réfrigérateur, débranchez la fiche de la prise de courant.



OU



Commandes du réfrigérateur et du congélateur (certains modèles)

### GUIDE DE RÉGLAGE DE LA TEMPÉRATURE

<b>Si le réfrigérateur est trop chaud</b>	Tournez légèrement la commande du réfrigérateur vers « <b>Colder</b> » (Plus froid).
<b>Si le réfrigérateur est trop froid</b>	Tournez légèrement la commande du réfrigérateur vers « <b>Cold</b> » (Froid).
<b>Si le congélateur est trop chaud</b>	Tournez légèrement la commande du congélateur vers « <b>Colder</b> » (Plus froid).
<b>Si le congélateur est trop froid</b>	Tournez légèrement la commande du congélateur vers « <b>Cold</b> » (Froid).
<b>* Pour éteindre le réfrigérateur</b>	Tournez la commande du réfrigérateur à « <b>0</b> ».





## VUE INTÉRIEURE

### **ATTENTION**

Pour éviter les blessures et les dommages provoqués par des clayettes en verre trempé cassées, manipulez celles-ci soigneusement. Les clayettes peuvent casser subitement si elles sont piquées, égratignées ou exposées à des changements de température brusques.

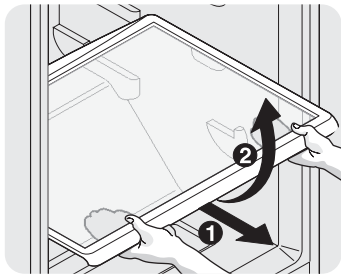
### AJUSTEMENT DES CLAYETTES

Vous pouvez facilement ajuster la position des clayettes du réfrigérateur selon vos besoins. Avant de régler la position des clayettes, enlevez tous les aliments qui s'y trouvent.

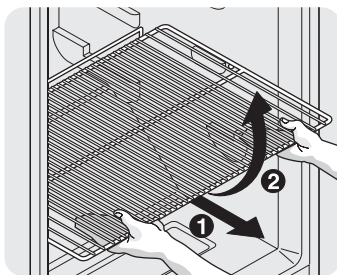
#### Pour ajuster les clayettes coulissantes :

- 1 Enlevez la clayette en tirant vers l'avant jusqu'à la butée.
- 2 Soulevez le devant de la clayette et retirez-la.

Inversez ces procédures pour replacer la clayette sur n'importe quelles glissières.



Clayettes en verre coulissantes



Clayettes métalliques coulissantes

#### Pour ajuster les clayettes en porte-à-faux :

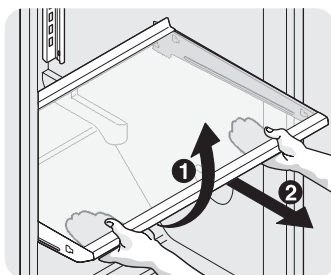
### REMARQUE

Les clayettes en porte-à-faux sont fixées à l'arrière du réfrigérateur. Les clayettes en porte-à-faux sont disponibles en verre ou en métal.

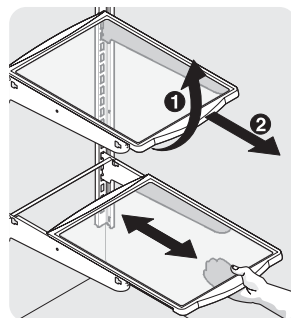
- 1 Soulevez le bord avant de la clayette.
- 2 Retirez la clayette.

Replacez la clayette en insérant les crochets situés à l'arrière de la clayette dans le support mural. Abaissez la clayette dans les fentes désirées et verrouillez-la en place.

Les clayettes en verre *SpillSafe*<sup>MC</sup> (certains modèles) sont conçues pour retenir et contenir les renversements accidentels. Certains modèles sont munis de clayettes *SpillSafe*<sup>MC</sup> coulissantes pour faciliter le nettoyage et l'accès aux aliments. Les clayettes coulissantes fonctionnent séparément des supports en porte-à-faux. Tirez simplement la clayette vers l'avant. La clayette peut être tirée jusqu'à la butée mais elle ne s'enlève **pas** du support en porte-à-faux.



Clayettes en verre en porte-à-faux pleine largeur



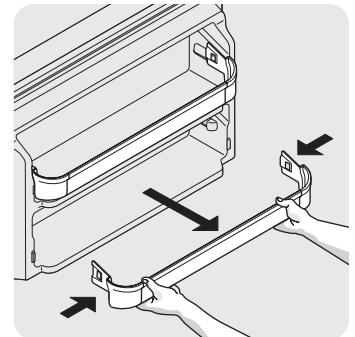
Clayettes en verre en porte-à-faux fixes et coulissantes

### RANGEMENT EN CONTRE-PORTE

Les balconnets et les clayettes fournis facilitent le rangement des pots, bouteilles et canettes. Ils permettent aussi une sélection facile des articles utilisés fréquemment.

Certains modèles sont munis de balconnets qui facilitent le rangement dans la porte des contenants de plastique de quatre litres et des pots et contenants de format économique. Certains supports sont réglables pour maximiser la capacité de rangement.

Le compartiment des produits laitiers, dont la température est plus chaude que celle du reste du compartiment, est utilisé pour ranger temporairement le fromage, les tartinades ou le beurre.



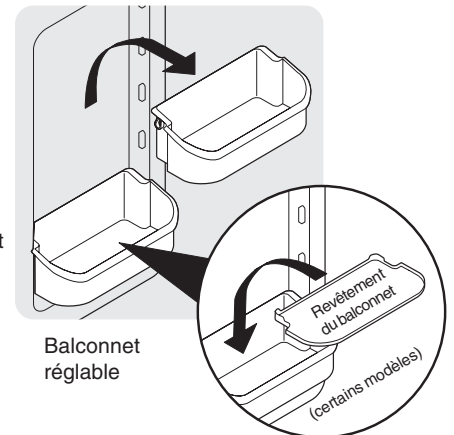
Balconnet

### BALCONNETS RÉGLABLES

Certains modèles possèdent des balconnets réglables qui peuvent être ajustés selon vos besoins.

#### Pour déplacer les balconnets réglables

1. Soulevez le balconnet verticalement.
2. Retirez le balconnet.
3. Placez le balconnet à la position désirée.
4. Abaissez le balconnet sur ses supports jusqu'à ce qu'il se verrouille en place.

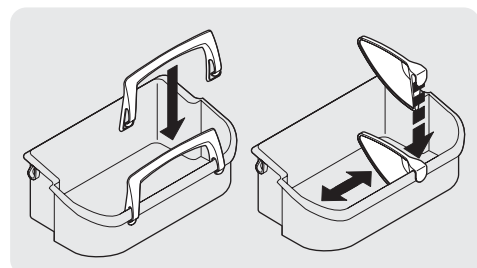


Balconnet réglable

Revêtement du balconnet (certains modèles)

### DISPOSITIF DE RETENUE POUR GRANDES BOUTEILLES (CERTAINS MODÈLES)

Le dispositif de retenue pour grandes bouteilles évite que les grands contenants placés dans le balconnet ne tombent vers l'avant lorsque vous ouvrez ou fermez la porte du réfrigérateur. Pour l'installer, tenez le dispositif de retenue par le haut et glissez-le sur la face externe du balconnet, comme illustré. Le dispositif de retenue pour grandes bouteilles fonctionne mieux avec un serre-bouteilles.

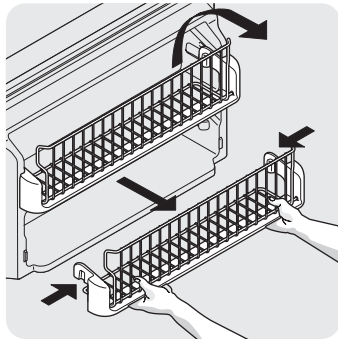


Le dispositif de retenue pour grandes bouteilles (gauche) et serre-bouteilles (droite)



## VUE INTÉRIEURE (SUITE)

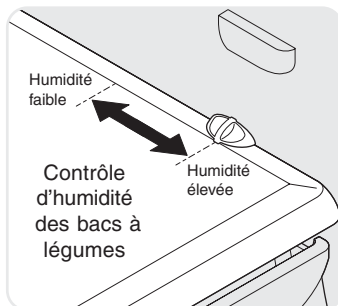
### BALCONNET BASCULANT DU CONGÉLATEUR



Balconnet basculant du congélateur

### RÉGLAGE D'HUMIDITÉ (CERTAINS MODÈLES)

Certains des modèles qui possèdent des bacs à fruits et légumes ont un réglage d'humidité qui permet d'ajuster le taux d'humidité du bac. Ceci peut prolonger la durée de conservation de certains légumes frais qui se conservent mieux si l'humidité est élevée.



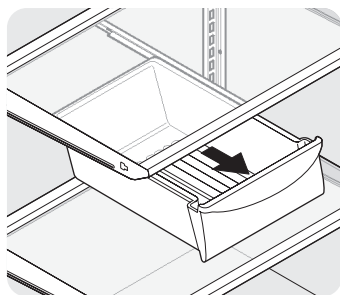
Contrôle d'humidité des bacs à légumes

### REMARQUE

Les légumes à feuilles se conservent mieux dans un bac lorsque le contrôle d'humidité est réglé à **Higher Humidity** (Humidité élevée) ou dans un tiroir ne comportant pas de contrôle d'humidité. La circulation d'air est ainsi minimisée et l'humidité est maintenue à son niveau maximum.

### BAC À CHARCUTERIE (CERTAINS MODÈLES)

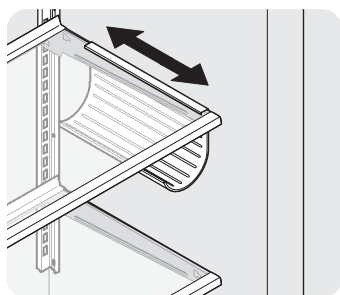
Certains modèles sont munis d'un bac à charcuterie qui sert à ranger les viandes froides, les tartinades, les fromages et autres aliments de charcuterie.



Bac à charcuterie

### PORTE-BOUTEILLES DE VIN (CERTAINS MODÈLES)

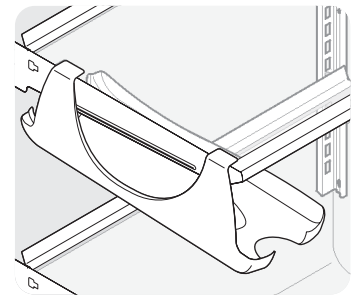
Le porte-bouteilles de vin sert à ranger les bouteilles de vin ou les bouteilles de deux litres en plastique de jus ou de boisson gazeuse. Pour l'installer, glissez le porte-bouteilles de vin sur la clayette avec la courbe vers l'intérieur. Pour l'enlever, glissez-le vers vous. Vous pouvez l'installer sur le côté de la clayette de votre choix.



Porte-bouteilles de vin

### ÉTAGÈRE POUR LES ARTICLES SPÉCIAUX (CERTAINS MODÈLES)

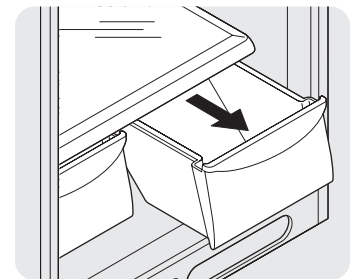
La conception novatrice de l'étagère pour articles spéciaux vous permet de ranger un paquet de 6 canettes de 355 mL (12 oz), une bouteille de vin, une bouteille de boisson gazeuse de deux litres ou un carton d'œufs. L'étagère pour articles spéciaux se monte sur le côté gauche de votre réfrigérateur. Pour l'installer, glissez l'étagère pour les articles spéciaux sur n'importe quelle clayette, comme illustré.



Étagère pour les articles spéciaux

### BACS À LÉGUMES (CERTAINS MODÈLES)

Les bacs à légumes sont situés sur l'étagère du bas du réfrigérateur et sont conçus pour ranger les fruits, les légumes et d'autres produits frais. Lavez les aliments à l'eau claire et éliminez le surplus d'eau avant de les mettre dans les bacs à légumes. Les articles qui ont un taux d'humidité élevé ou une odeur forte doivent être enveloppés avant d'être rangés.



Bac à légumes



## CONSERVATION DES ALIMENTS ET ÉCONOMIES D'ÉNERGIE

### CONSERVATION DES ALIMENTS

#### Conservation des aliments frais

- La température du compartiment réfrigérateur doit être maintenue entre 1 °C et 4 °C (34 °F et 40 °F), la température optimale étant de 2,7 °C (37 °F).
- Ne surchargez pas les clayettes du réfrigérateur. La surcharge réduit la circulation d'air autour des aliments, ce qui rend le refroidissement inégal.

#### Fruits et légumes

- Les bacs à fruits et légumes emprisonnent l'humidité pour aider à conserver les fruits et légumes plus longtemps.

#### Viande

- Enveloppez la viande et les volailles crues de façon à éviter les écoulements et la contamination des surfaces ou des autres aliments.

#### Conservation des produits surgelés

- La température du congélateur doit être de -17 °C (0 °F) ou moins.
- Un congélateur fonctionne de manière plus efficace lorsqu'il est rempli aux 2/3.

#### Emballage des aliments pour la congélation

- Pour minimiser la déshydratation des aliments et leur détérioration, utilisez du papier d'aluminium, du film pour congélation, des sacs de congélation ou des récipients étanches. Retirez le plus d'air possible des emballages et fermez-les de manière hermétique. L'air enfermé peut provoquer la déshydratation des aliments, le changement de couleur et le développement de mauvais goûts (brûlures de congélation).
- Enveloppez les viandes et les volailles fraîches dans un film conçu pour la congélation avant de les congeler.
- Ne pas recongeler une viande qui a été complètement décongelée.

#### Chargement du congélateur

- Évitez d'ajouter trop d'aliments chauds en même temps dans le congélateur. Une telle surcharge ralentit la congélation et peut faire monter la température des aliments congelés.
- Laissez de l'espace entre les emballages pour que l'air circule librement, permettant aux aliments de congeler le plus rapidement possible.
- Évitez de mettre des aliments difficiles à congeler tels que la crème glacée et du jus d'orange en les mettant sur les balconnets de la porte du congélateur. Ces aliments se conservent mieux à l'intérieur du congélateur puisque la température varie moins.



### ÉCONOMIES D'ÉNERGIE

- Placez le réfrigérateur dans l'endroit le plus froid de la pièce, éloigné de la lumière directe du soleil et des conduits de chauffage ou des bouches de chaleur. Ne le placez pas près d'une cuisinière, d'un four ou d'un lave-vaisselle. Si cela n'est pas possible, ajoutez une planche ou une couche d'isolation entre les deux

appareils pour aider le réfrigérateur à fonctionner plus efficacement.

- Mettez le réfrigérateur à niveau pour que les portes se ferment bien.
- Reportez-vous à ce guide d'utilisation et d'entretien pour connaître les ajustements de la commande de température suggérés.
- Un nettoyage périodique du condenseur aide le réfrigérateur à fonctionner plus efficacement. Consultez le *tableau d'entretien et nettoyage*.
- Ne surchargez pas le réfrigérateur et ne bloquez pas les sorties d'air froid. Sinon, le réfrigérateur devra fonctionner plus longtemps et utiliser plus d'énergie.
- Recouvrez les aliments et essuyez les contenants avant de les placer au réfrigérateur. Ceci permet de réduire la condensation à l'intérieur de l'appareil.
- Organisez votre réfrigérateur afin de l'ouvrir le moins souvent possible. Prévoyez de prendre plusieurs articles en même temps et refermez la porte aussi vite que possible.



## DISTRIBUTION DE GLAÇONS

Si votre réfrigérateur possède une machine à glaçons automatique, celle-ci produira une quantité de glaçons suffisante pour répondre aux besoins d'un usage normal. Cependant, la première fois que vous mettez votre réfrigérateur en marche, ce dernier ne produira pas de glaçons pendant les 24 premières heures. L'air dans la tuyauterie neuve peut provoquer deux ou trois cycles à vide avant que la machine à glaçons produise un bac à glaçons plein. S'il n'est pas utilisé, le bac requiert approximativement deux jours pour se remplir.

Les premiers glaçons produits peuvent être décolorés ou avoir un goût étrange en raison des nouveaux raccordements de plomberie. Jetez les glaçons produits durant les 24 premières heures.

### REMARQUE

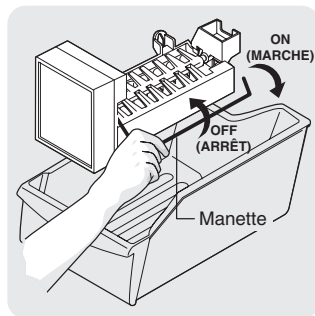
**REMARQUE :** Les machines à glaçons automatiques sont des accessoires optionnels qui peuvent être installés sur la plupart des modèles en tout temps. Téléphonez à votre marchand pour obtenir plus de renseignements.

### MISE EN MARCHÉ DE LA MACHINE À GLAÇONS

Une fois que les raccordements de plomberie sont faits, vous devez ouvrir le robinet d'alimentation en eau. Placez le bac à glaçons sous la machine à glaçons et poussez-le le plus loin possible vers le fond. Abaissez la manette à la position « basse » ou ON (marche).

### ARRÊT DE LA MACHINE À GLAÇONS

Pour éteindre la machine à glaçons, soulevez la manette jusqu'à ce qu'elle s'enclenche dans la position « haute » ou ARRÊT. La machine à glaçons s'arrête également automatiquement lorsque le bac à glaçons est plein. Si votre modèle est doté d'une clayette de congélateur ajustable, placez cette dernière à la position inférieure de manière à ce que la manette touche aux glaçons lorsque le bac est plein.



### CONSEILS POUR LA PRODUCTION DE GLAÇONS

- Les glaçons conservés trop longtemps peuvent développer un goût douteux. Videz le bac à glaçons et assurez-vous que la manette est en position « basse » ou MARCHÉ. La machine à glaçons produira ainsi plus de glaçons.
- Secouez le bac de temps en temps pour séparer les glaçons.
- Arrêtez la machine à glaçons lorsque vous nettoyez le congélateur ou lorsque vous partez en vacances.
- Si vous arrêtez la machine à glaçons pendant une longue période, fermez la soupape d'arrivée d'eau.

### REMARQUE

Pour plus de renseignements sur les bruits de la machine à glaçons, consultez la section *Bruits et éléments visuels d'un fonctionnement normal*.



### ATTENTION

**Le bac à glaçons NE VA PAS au lave-vaisselle.**

- Lavez le bac à glaçons à l'eau chaude avec un savon doux. Rincez bien et séchez.
- Arrêtez la machine à glaçons lorsque vous nettoyez le congélateur ou lorsque vous partez en vacances.
- Si vous arrêtez la machine à glaçons pendant une longue période, fermez la soupape d'arrivée d'eau.

### IMPORTANT

La machine à glaçons vous est livrée avec la manette à la position de MARCHÉ. Pour vous assurer du bon fonctionnement de votre machine à glaçons, raccordez l'alimentation en eau immédiatement ou ÉTEIGNEZ la machine à glaçons en soulevant la manette jusqu'à ce qu'elle s'enclenche dans la position HAUTE. **Si la machine à glaçons n'est pas arrêtée et que l'alimentation en eau est coupée, le robinet d'eau émettra un fort bruit de broutage.**

### PRODUCTION DE GLAÇONS : QUELLE QUANTITÉ DE GLAÇONS PRODUIT LA MACHINE

La machine à glaçons produit entre 0,9 et 1,1 kg (2,5 et 3 lb) de glaçons toutes les 24 heures, selon les conditions d'usage. Les glaçons sont produits à raison de 8 cubes toutes les 80 à 160 minutes.



### ATTENTION

**Les produits chimiques provenant d'un adoucisseur qui fonctionne mal peuvent endommager la machine à glaçons. Si la machine à glaçons est raccordée à un adoucisseur, assurez-vous que ce dernier est entretenu de façon adéquate et qu'il fonctionne correctement.**



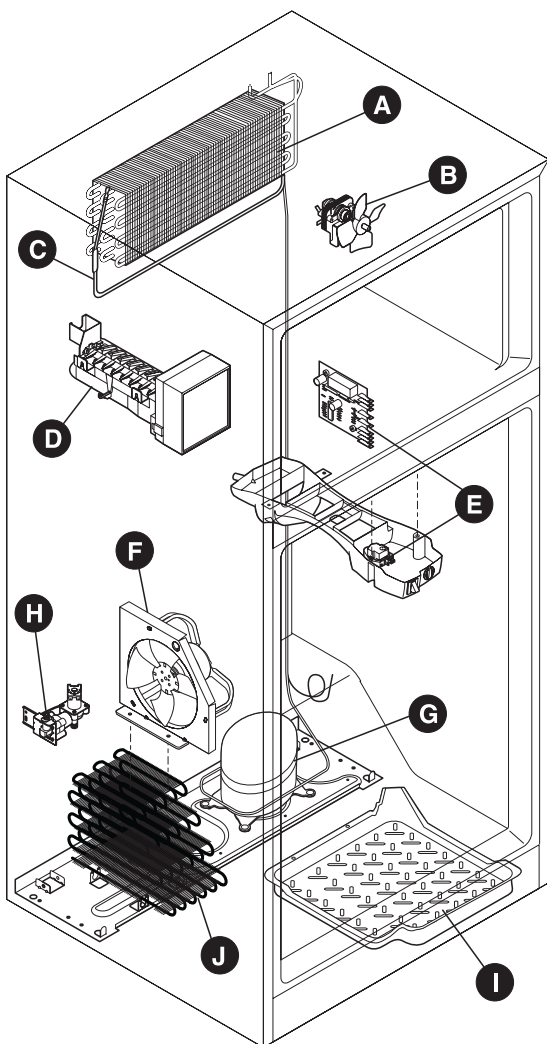
## BRUITS ET ÉLÉMENTS VISUELS D'UN FONCTIONNEMENT NORMAL

### POUR COMPRENDRE LES BRUITS QUE VOUS ENTENDEZ

Votre nouveau réfrigérateur de haute efficacité peut émettre des sons qui ne vous sont pas familiers. Ces bruits sont normaux et ils deviendront vite familiers. Ils indiquent également que votre réfrigérateur fonctionne comme prévu. Des surfaces dures comme les planchers de vinyle ou de bois, les murs et les armoires de cuisine peuvent amplifier les sons. Vous trouverez ci-dessous la description des bruits les plus communs que vous pouvez entendre, ainsi que leur cause.

### REMARQUE

L'isolation de mousse rigide est efficace pour conserver l'énergie, mais elle n'isole pas très bien le son.



### A. Évaporateur

Le réfrigérant qui circule dans l'évaporateur peut causer un gargouillement ou un bruit d'ébullition.

### B. Ventilateur de l'évaporateur

Vous pouvez entendre le déplacement d'air produit par le ventilateur de l'évaporateur à travers le réfrigérateur.

### C. Élément chauffant de dégivrage

Pendant les cycles de dégivrage, l'eau qui s'écoule sur l'élément chauffant peut provoquer un sifflement ou bref crépitement. Après le dégivrage, un bruit sec peut se produire.

### IMPORTANT

Pendant le cycle de dégivrage automatique, vous pourriez voir une lueur rouge à l'arrière des événements muraux de votre congélateur. Ceci est normal durant le cycle de dégivrage.

### D. Machine à glaçons automatique

Si votre réfrigérateur est muni d'une machine à glaçons automatique, vous pouvez entendre les glaçons tomber dans le bac à glaçons.

### E. Commande de refroidissement et commande du dégivrage automatique

Ces pièces peuvent produire un claquement ou un déclic lorsqu'elles arrêtent ou mettent en marche le réfrigérateur. La minuterie produit aussi un bruit semblable à un choc électrique.

### F. Ventilateur de condenseur

Si des serpentins de condenseur sont situés sous votre réfrigérateur comme illustré à la figure de gauche, il est muni d'un ventilateur de condenseur. Vous pouvez entendre le déplacement d'air acheminé au condenseur par le ventilateur de condenseur.

### G. Compresseur

Les compresseurs modernes de haute efficacité tournent plus rapidement que les anciens compresseurs. Ils peuvent émettre des vibrations ou un bourdonnement aigu.

### H. Soupape d'eau

Si votre réfrigérateur est muni d'une machine à glaçons automatique, vous entendrez un bourdonnement chaque fois que la soupape d'eau s'ouvrira pour remplir la machine à glaçons.

### I. Plateau de dégivrage (permanent)

Vous pouvez entendre les gouttes d'eau tomber dans le plateau de dégivrage pendant le cycle de dégivrage. Le plateau de dégivrage est situé sur le dessus du compresseur pour les condenseurs à refroidissement par air (avec des serpentins noirs à l'arrière du réfrigérateur).

### J. Serpentins de condenseur (pour les modèles refroidis à l'aide d'un ventilateur seulement)



## ENTRETIEN ET NETTOYAGE

Gardez votre réfrigérateur et votre congélateur propres pour éviter les odeurs. Essuyez immédiatement tout renversement et nettoyez les deux compartiments au moins deux fois par année. **N'utilisez jamais** de tampons à récurer, brosses, nettoyants abrasifs ou solutions alcalines fortes pour nettoyer votre réfrigérateur. **Ne lavez aucune** des pièces amovibles dans le lave-vaisselle. **Débranchez toujours le cordon d'alimentation de la prise murale avant de nettoyer.**

### ATTENTION

- Lorsque vous déplacez le réfrigérateur, tirez en le tenant bien droit. Ne le faites pas osciller d'un côté à l'autre, vous risqueriez d'endommager ou d'entailler le revêtement de sol. Si le réfrigérateur est pourvu d'une machine à glaçons automatique, faites attention de ne pas le déplacer au-delà de ce que peuvent accepter les raccordements de plomberie.
- Les objets humides collent aux surfaces froides. Ne touchez pas les surfaces froides du réfrigérateur avec des mains humides.
- N'utilisez jamais de CHLORE sur l'acier inoxydable.

### REMARQUE

- En mettant la commande de température à la position « 0 », vous éteignez le compresseur, sans toutefois couper l'alimentation de l'ampoule et des autres composants électriques. Pour couper l'alimentation de votre réfrigérateur, débranchez le cordon d'alimentation de la prise murale.
- N'utilisez pas de lame de rasoir ou tout autre instrument pointu pouvant rayer la surface de l'appareil lorsque vous enlevez les étiquettes adhésives. La colle laissée par le ruban ou les étiquettes peut être enlevée à l'aide d'un mélange d'eau chaude et de détergent doux ou en touchant le résidu de colle avec le côté collant du ruban que vous avez déjà enlevé. **N'enlevez pas la plaque signalétique.**

### Tableau d'entretien et de nettoyage

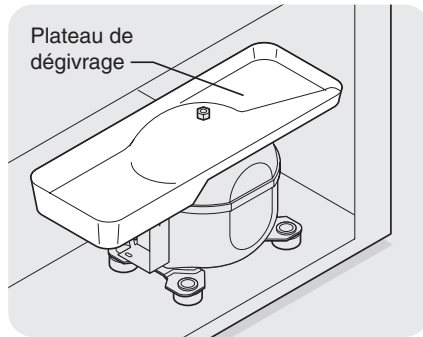
Pièce	Produits à utiliser	Conseils et précautions
Revêtement intérieur et revêtement de porte	<ul style="list-style-type: none"> <li>• Eau savonneuse</li> <li>• Bicarbonate de soude et eau</li> </ul>	Utilisez 30 mL (2 c. à table) de bicarbonate de soude dans 1 L (1 pinte) d'eau chaude. <b>Essorez bien l'eau de l'éponge ou du chiffon avant de nettoyer autour des commandes, de l'ampoule ou de toute pièce électrique.</b>
Joints des portes	<ul style="list-style-type: none"> <li>• Eau savonneuse</li> </ul>	Essuyez les joints avec un chiffon propre et doux.
Bacs et balconnets	<ul style="list-style-type: none"> <li>• Eau savonneuse</li> </ul>	Ne lavez aucune des pièces amovibles (bacs, balconnets, etc.) dans le lave-vaisselle.
Clayettes en verre	<ul style="list-style-type: none"> <li>• Eau savonneuse</li> <li>• Nettoyant pour verre</li> <li>• Pulvérisation liquide douce</li> </ul>	Laissez le verre se réchauffer à la température ambiante avant de l'immerger dans l'eau chaude.
Grille de protection	<ul style="list-style-type: none"> <li>• Eau savonneuse</li> <li>• Pulvérisation liquide douce</li> <li>• Embout d'aspirateur</li> </ul>	Passer l'aspirateur sur la façade de la grille. Retirez la grille. Passez l'aspirateur sur l'arrière de la grille et essuyez-la avec une éponge ou un linge savonneux. Rincez et séchez.
Extérieur et poignées	<ul style="list-style-type: none"> <li>• Eau savonneuse</li> </ul>	N'utilisez pas de nettoyant ménager commercial, de l'ammoniaque ou de l'alcool pour nettoyer les poignées.
Extérieur et poignées (Modèles en acier inoxydable seulement)	<ul style="list-style-type: none"> <li>• Eau savonneuse</li> <li>• Ammoniaque</li> <li>• Nettoyant pour acier inoxydable</li> </ul>	<b>ATTENTION : N'utilisez jamais de CHLORE pour nettoyer l'acier inoxydable.</b> Nettoyez l'avant et les poignées en acier inoxydable avec un chiffon à vaisselle non abrasif imbibé d'eau savonneuse. Rincez avec un chiffon doux imbibé d'eau propre. Nettoyez les taches rebelles avec un papier essuie-tout imbibé d'ammoniaque et rincez. Utilisez un nettoyant pour acier inoxydable non abrasif. Ces nettoyants peuvent être achetés dans la plupart des magasins de rénovation ou dans les grands magasins. Suivez toujours les instructions du fabricant. REMARQUE : Nettoyez, essuyez et séchez toujours dans le sens des stries pour éviter les rayures. Lavez le reste de l'extérieur avec de l'eau chaude et un détergent liquide doux. Rincez bien et séchez avec un chiffon propre et doux.
Serpentins du condenseur (modèles refroidis à l'aide d'un ventilateur seulement)	<ul style="list-style-type: none"> <li>• Vous pouvez vous procurer une brosse pour nettoyer le condenseur chez votre marchand.</li> <li>• Aspirateur</li> </ul>	Vous n'avez pas besoin de nettoyer cette pièce à moins que le réfrigérateur fonctionne dans un environnement particulièrement poussiéreux ou gras ou si vous possédez des animaux domestiques. Si le nettoyage est nécessaire, retirez la grille de protection, puis utilisez l'embout long de l'aspirateur et la brosse de nettoyage pour le condenseur afin de déloger la saleté accumulée sur les serpentins du condenseur (consultez l'article « J » de la section « Bruits et éléments visuels d'un fonctionnement normal »).
Serpentins du condenseur (modèles refroidis à l'aide d'un ventilateur seulement)	<ul style="list-style-type: none"> <li>• Aspirateur</li> </ul>	Utilisez la brosse à épousseter de votre aspirateur pour enlever la saleté accumulée sur les serpentins du condenseur (tubes et tiges de couleur noire) situés à l'arrière des réfrigérateurs à refroidissement par air seulement.
Plateau de dégivrage	<ul style="list-style-type: none"> <li>• Eau savonneuse</li> </ul>	Certains modèles possèdent un plateau de dégivrage situé sur le dessus du compresseur dans la partie inférieure arrière du réfrigérateur (voir l'illustration à la page suivante). Essuyez le plateau de dégivrage avec un chiffon humide. REMARQUE : Le plateau de dégivrage NE S'ENLÈVE PAS.
Extérieur (Modèles en acier inoxydable Easy Care)	<ul style="list-style-type: none"> <li>• Eau savonneuse</li> <li>• Pulvérisation liquide douce</li> </ul>	<b>ATTENTION : N'utilisez PAS de détergents abrasifs ni de détergents pour acier inoxydable sur les modèles en acier inoxydable Easy Care. Ces détergents endommageront le fini protecteur.</b> Utilisez une eau chaude savonneuse pour nettoyer les surfaces Easy Care. On peut pulvériser de l'eau sur les taches rebelles.



## ENTRETIEN ET NETTOYAGE (SUITE)

### CONDENSEUR SANS NETTOYAGE (CERTAINS MODÈLES)

Si votre réfrigérateur est muni d'un condenseur sans nettoyage, vous n'avez pas à nettoyer le condenseur dans des conditions normales d'utilisation. Si le réfrigérateur fonctionne dans un environnement particulièrement poussiéreux ou gras, ou si vous possédez des animaux domestiques, il pourrait s'avérer nécessaire de nettoyer le condenseur afin d'assurer une efficacité maximale.



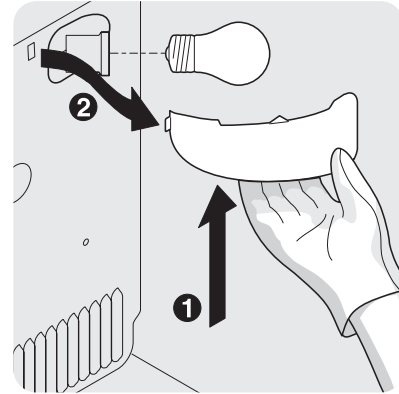
Plateau de dégivrage (certains modèles)

### REMPLENER L'AMPOULE DU CONGÉLATEUR (CERTAINS MODÈLES)

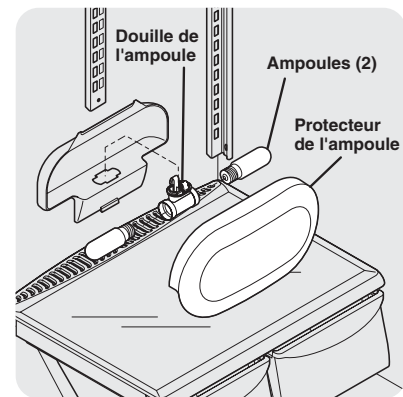
1. Débranchez le réfrigérateur.
2. Portez des gants pour vous protéger au cas où l'ampoule se briserait.
3. Déclenchez le protecteur de l'ampoule comme illustré.
4. Dévissez la vieille ampoule et remplacez-la par une nouvelle ampoule pour électroménagers de la même puissance.
5. Remettez le protecteur de l'ampoule.
6. Souvenez-vous de rebrancher le réfrigérateur.

### ⚠ ATTENTION

Pour éviter les coupures, portez des gants lorsque vous remplacez une ampoule.



Dépose du protecteur de l'ampoule du congélateur



Dépose du protecteur intermédiaire de l'ampoule

### Conseils pour les vacances et les déménagements

<b>Vacances de courte durée</b>	<ul style="list-style-type: none"> <li>• Laissez le réfrigérateur fonctionner si vous partez pour moins de trois semaines.</li> <li>• Consommez tous les aliments périssables qui se trouvent dans le réfrigérateur.</li> <li>• Éteignez la machine à glaçons et videz le bac, même si vous ne partez que pour quelques jours.</li> </ul>
<b>Vacances de longue durée</b>	<ul style="list-style-type: none"> <li>• Si vous partez pour plus d'un mois, enlevez toute la nourriture et la glace.</li> <li>• Placez les commandes à la position « O » (la position ARRÊT).</li> <li>• Éteignez la machine à glaçons automatique et fermez le robinet d'arrivée d'eau.</li> <li>• Nettoyez soigneusement l'intérieur.</li> <li>• Laissez les deux portes ouvertes afin de prévenir les odeurs et l'accumulation de moisissure. Bloquez les portes en position ouverte, si nécessaire.</li> </ul>
<b>Déménagement</b>	<ul style="list-style-type: none"> <li>• Enlevez toute la nourriture et la glace.</li> <li>• Si vous utilisez un chariot, chargez-le par le côté.</li> <li>• Placez les roulettes tout en haut pour les protéger durant le déplacement ou le déménagement.</li> <li>• Couvrez la caisse pour éviter d'égratigner la surface.</li> </ul>



## INFORMATIONS SUR LA GARANTIE

# GARANTIE DU RÉFRIGÉRATEUR

*Votre réfrigérateur est protégé par cette garantie*

	PÉRIODE DE GARANTIE	PAR L'ENTREPRISE DE NOS PRÉPOSÉS À L'ENTRETIEN AUTORISÉS :	RESPONSABILITÉ DU CLIENT :
<b>GARANTIE COMPLÈTE DE UN AN</b>	Un an à partir de la date d'achat.	Tous les frais de réparation ou de remplacement de toute pièce de cet appareil présentant des défauts de matériaux ou de fabrication. Excluant les éléments filtrants d'origine et de remplacement pour eau et glaçons (le cas échéant). Les éléments filtrants d'origine et de remplacement sont garantis pour 30 jours (pièces uniquement).	Le coût des visites d'un réparateur pour les items classés sous la liste RESPONSABILITÉS NORMALES DU CLIENT.*

\* En plus de la garantie montrée au-dessus, demander votre négociant de Crosley A Etendu la Garantie Limitée qui vient à vous à aucune extra-charge pour le deux par les dixièmes années.

Aux États-Unis, votre appareil est garanti par Crosley Corporation. Nous n'autorisant aucune personne à modifier ou à ajouter quelle qu'obligation que ce soit à cette garantie. Nos obligations concernant les réparations ou les pièces couvertes par cette garantie doivent être effectuées par un préposé à l'entretien autorisé de Crosley Corporation. Au Canada, votre appareil est garanti par les CrosleyCanada Corp.

### \*RESPONSABILITÉS NORMALES DU CLIENT

**Cette garantie s'applique uniquement aux produits utilisés à des fins domestiques et le client est responsable pour les items inclus dans la liste ci-dessous :**

1. Une utilisation appropriée de l'appareil conformément aux instructions fournies avec le produit.
2. Une installation appropriée par un préposé à l'entretien autorisé conformément aux instructions fournies avec l'appareil et à tous les codes locaux de plomberie, d'électricité et/ou de gaz.
3. Un branchement approprié à une prise de courant avec mise à la terre et à une tension suffisante, ainsi que le remplacement des fusibles grillés, la réparation des branchements défectueux.
4. Les coûts pour rendre l'appareil accessible pour les réparations, comme la dépose de garnitures, d'armoires, d'étagères, etc., qui ne faisaient pas partie de l'appareil à sa sortie de l'usine.
5. Les dommages au fini après l'installation.
6. Le remplacement des ampoules électriques et/ou des tubes fluorescents (sur les modèles qui présentent ces caractéristiques).

### EXCLUSIONS

**Cette garantie ne couvre pas :**

1. LES DOMMAGES INDIRECTS OU CONSÉCUTIFS, COMME LES DOMMAGES À LA PROPRIÉTÉ OU LES FRAIS CONSÉCUTIFS RÉSULTANT D'UN MANQUEMENT DE QUELLE QUE NATURE QUE CE SOIT DE CETTE GARANTIE ÉCRITE OU DE TOUTE AUTRE GARANTIE IMPLICITE  
**REMARQUE :** Certains états ou provinces ne permettent pas l'exclusion ou la limitation des dommages indirects ou consécutifs, il est donc possible que cette limitation ne s'applique pas à votre cas.
2. Les appels de service non reliés à un mauvais fonctionnement ou à une défaillance de matériaux ou de fabrication ou pour les appareils qui ne servent pas à des fins domestiques. Le client devra assumer les frais de ces appels de service.
3. Les dommages causés par un entretien effectué par un préposé non autorisé par Crosley Corporation; l'utilisation de pièces autres que les pièces authentiques de Crosley Corporation ou obtenues par une personne autre qu'un préposé autorisé ou encore des causes extérieures comme une utilisation abusive, un mauvais usage, une alimentation électrique inadéquate ou une catastrophe naturelle.
4. Les produits dont les numéros de série d'origine ont été enlevés ou effacés et qui ne peuvent être lus.

### SI VOUS AVEZ BESOIN DE SERVICE

Garder votre facture, le bordereau de livraison ou toute autre preuve de versement effectué. La date de la facture indique le début de la période de garantie dans l'éventualité où une réparation serait requise. Il est dans votre intérêt de demander et de conserver tous les reçus. Cette garantie écrite vous donne des droits légaux spécifiques. Il est possible que vous ayez également d'autres droits qui varient selon les régions. Les services couverts par cette garantie doivent être obtenus en contactant Crosley Corporation:

Cette garantie ne s'applique qu'aux 50 états des États-Unis, Puerto Rico, et Canada. Les caractéristiques du produit décrites ou illustrées sont sujettes à des modifications sans préavis. Toutes les garanties sont émises par Crosley Corporation. Au Canada, votre appareil est garanti par les Crosley Canada Corp.

Rev. 01/2006

**POUR LE CONTACT D'INFORMATION DE GARANTIE:**

USA 800-944-9044  
Canada 800-668-4606

**POUR LE CONTACT D'INFORMATION DE PRODUIT:**

336-761-1212  
Crosley Corporation  
111 Cloverleaf Dr.  
Winston-Salem, NC 27103  
[www.crosley.com](http://www.crosley.com)





## AVANT DE FAIRE APPEL AU SERVICE APRÈS-VENTE

1 800 944-9044 (États-Unis)

1 800 668-4606 (Canada)

Consultez notre site Web à l'adresse :  
[www.crosley.com](http://www.crosley.com).

Situations courantes	Avant de faire appel au service après-vente, consultez cette liste. Cela pourrait vous faire économiser temps et argent. Cette liste décrit des situations courantes qui ne sont causées ni par un défaut de fabrication ni par un matériau défectueux.
<b>Le réfrigérateur ne fonctionne pas.</b>	<ul style="list-style-type: none"> <li>• Assurez-vous que le cordon électrique est bien branché dans la prise.</li> <li>• Vérifiez/remplacez le fusible temporisé de 15 A. Réinitialisez le disjoncteur du circuit.</li> <li>• La commande de température est à la position « O ».</li> <li>• Le cycle de décongélation du réfrigérateur est peut-être activé. Attendez 20 minutes et vérifiez de nouveau.</li> </ul>
<b>La température du congélateur est trop froide. La température du réfrigérateur est correcte.</b>	<ul style="list-style-type: none"> <li>• Ajustez la commande du congélateur à un réglage plus chaud jusqu'à ce que la température du congélateur soit correcte. Allouez 24 heures pour permettre à la température de se stabiliser.</li> </ul>
<b>La température du réfrigérateur est trop froide. La température du congélateur est correcte.</b>	<ul style="list-style-type: none"> <li>• Ajustez la commande du réfrigérateur à un réglage plus chaud. Allouez 24 heures pour permettre à la température de se stabiliser. Puis, vérifiez la température du congélateur et ajustez, si nécessaire.</li> </ul>
<b>Le réfrigérateur est bruyant ou vibre.</b>	<ul style="list-style-type: none"> <li>• La caisse n'est pas à niveau.</li> <li>• Le plancher n'est pas solide.</li> <li>• Consultez la section <i>Bruits et éléments visuels d'un fonctionnement normal</i>.</li> </ul>
<b>Le réfrigérateur dégage des odeurs.</b>	<ul style="list-style-type: none"> <li>• L'intérieur doit être nettoyé.</li> <li>• Les aliments qui produisent des odeurs doivent être couverts ou emballés.</li> </ul>
<b>L'éclairage de la caisse ne fonctionne pas.</b>	<ul style="list-style-type: none"> <li>• Remplacez l'ampoule.</li> <li>• Assurez-vous que le cordon électrique est bien branché dans la prise.</li> <li>• Le commutateur de la lampe est peut-être coincé. Appuyez sur le commutateur de la lampe situé sur la boîte de commande du réfrigérateur afin de le dégager.</li> </ul>
<b>La machine à glaçons automatique ne fonctionne pas (certains modèles).</b>	<ul style="list-style-type: none"> <li>• Assurez-vous que la manette n'est pas à la position HAUTE.</li> <li>• La machine à glaçons devrait produire entre 1 et 1,4 kg (2,5 et 3 lb) de glaçons en 24 heures.</li> <li>• L'alimentation en eau est fermée.</li> <li>• La pression d'eau est trop basse.</li> <li>• Le congélateur n'est pas assez froid.</li> </ul>

# ELECTROLUX, THE AUTHORIZED SERVICE COMPANY FOR CROSLEY

**Got Questions or Need Parts or Service?  
Questions ou besoin de pièces ou de service?  
¿Preguntas o piezas o servicio conseguidas de la necesidad?**

ENGLISH  
(U.S.A.)



**Before Calling Your  
Local Repair Service  
CALL:**

**1-800-944-9044**

** Electrolux  
Solutions Hotline**

- Resolve many service issues over the phone at your convenience!
- If we can't resolve your service issue, we'll schedule a reputable local service technician for you!
- Order Genuine Electrolux Parts & Accessories!

FRANÇAIS  
(Canada)

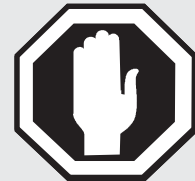


**Avant d'appeler le  
centre de réparation  
de votre localité  
APPELEZ LE :**  
**1-800-944-9044**

** Electrolux  
Ligne d'assistance**

- Résolvez de nombreux problèmes d'un simple coup de fil!
- Si nous ne parvenons pas à résoudre votre problème, nous prendrons les dispositions pour qu'un technicien qualifié de votre région vous rende visite!
- Commandez des pièces et des accessoires Electrolux d'origine!

ESPAÑOL  
(U.S.A.)



**Antes de llamar al  
servicio técnico local  
LLAME AL:**

**1-800-944-9044**

** Electrolux  
Línea gratuita de atención  
al cliente**

- Resuelva muchos de los problemas de reparación por teléfono, cómodamente.
- Si no podemos resolver su problema, le asignaremos un técnico local apropiado que le resuelva el problema.
- Solicite piezas y accesorios originales de Electrolux.

**Visit CROSLEY'S Web Site at:  
Visite la página de CROSLEY en Internet:  
Visitez le site Internet de CROSLEY au:**

**[www.CROSLEY.com](http://www.CROSLEY.com)**

**CROSLEY, THE FULL LINE OF QUALITY APPLIANCES**